

KARPA-KA

CLASSIC LINE

AÑOS DE GARANTÍA | 2

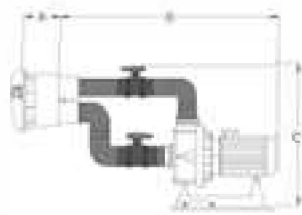
COUNTER-CURRENT SWIMMING EQUIPMENT PUMPS

- » Recommended for countercurrents, hydromassages, spas ...
- » Thermoset plastic pump body
- » **Uses: water games, counter current sources**



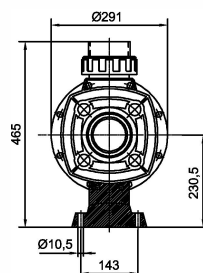
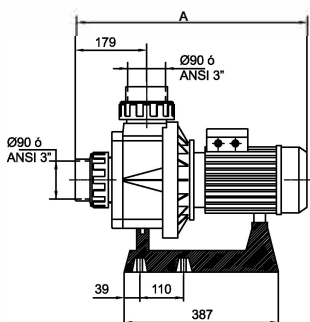
Code	Ref.	P2 Hp	P1 kW	A (mm)	Caudal (m³/h)	Peso (kg)	Vol. (m³)	uds/palet	u.m.v.
011121120110	KA250M	2,5	2,3	581	44	20,8	0,083	18	1
011131220110	KA300M	3	2,76	581	48	21,5	0,083	18	1
011131359110	KA250T1IE3	2,5	-	581	44	-	0,083	18	1
011131459110	KA300T1IE3	3	-	581	48	-	0,083	18	1
011141029110	KA350T1IE3	3,5	-	581	63	-	0,083	18	1
011141129110	KA450T1IE3	4,5	-	581	67	-	0,083	18	1

IE3 ✓
IE3 ✓
IE3 ✓
IE3 ✓



Technical Data

Water temp. max. / Pression max.	50°C / 2,5 bar
Connection [DIN glue included, others ask)	QI 50 ø 63 mm
Mecanic seal	AISI 316, suitable for salt water
Motor-variator characteristics	Class F, IP55, 50 Hz [60 Hz, ask), 2.850 rpm
Body / impeller	PP+ F.G./Noryl®



Pressure (mbar)

