

MODEL

KARPA



- User manual - (ENG)
- Betriebsanweisung - (GER)



**ENGLISH**

**23**

**DEUTSCH**

**45**

# - INDEX -

<b>1. DESCRIPTION .....</b>	<b>22</b>
• 1.1. TECHNICAL CHARACTERISTICS .....	22
<b>2. SAFETY INSTRUCTIONS .....</b>	<b>22</b>
• 2.1. MANUAL SAFETY SYMBOLS .....	22
• 2.2. IMPORTANT SAFETY INSTRUCTIONS .....	23
• 2.3. RATING PLATES .....	23
• 2.4. RESPONSIBILITY .....	23
• 2.5. REGULATIONS .....	23
• 2.6. GENERAL SAFETY INSTRUCTIONS REGARDING USER SAFETY .....	23
<b>3. PACKAGING, TRANSPORTATION AND STORAGE.....</b>	<b>24</b>
<b>4. INSTALLATION .....</b>	<b>25</b>
• 4.1. SITE .....	25
• 4.2. INSTALLATION .....	25
<b>5. ELECTRICAL CONNECTION .....</b>	<b>25</b>
• 5.1. VOLTAGE .....	25
• 5.2. ELECTRICAL PROTECTION .....	26
• 5.3. ELECTRICAL CONNECTION .....	26
<b>6. PUMP HYDRAULIC REQUIREMENTS .....</b>	<b>27</b>
• 6.1. PROTECTION AGAINST ENTRAPMENT .....	27
• 6.2. COVERS/GRILLES ON INTAKE POINTS .....	27
• 6.3. PUMP INTAKE POINTS .....	27
• 6.4. WATER SPEED AND FLOW .....	27
• 6.5. PIPE INSTALLATION .....	27
<b>7. COMMISSIONING .....</b>	<b>28</b>
• 7.1. PUMP PRIMING .....	28
• 7.2. MAINTENANCE .....	29
• 7.3. PRESERVATION .....	29
<b>8. DISASSEMBLY / ASSEMBLY .....</b>	<b>30</b>
• 8.1. DISASSEMBLY .....	30
• 8.2. ASSEMBLY .....	30
<b>9. TROUBLE SHOOTING .....</b>	<b>31</b>
<b>10. TABLE OF CONDUCTORS AND CIRCUIT BREAKERS .....</b>	<b>32</b>

# - INDEX -

<b>1. BESCHREIBUNG .....</b>	<b>44</b>
• 1.1. TECHNISCHE MERKMALE .....	44
<b>2. SICHERHEITSHINWEISE .....</b>	<b>44</b>
• 2.1. SICHERHEITSZEICHEN IN DER BEDIENUNGSANLEITUNG.....	44
• 2.2. WICHTIGE SICHERHEITSHINWEISE .....	45
• 2.3. TYPENSCHILDER .....	45
• 2.4. HAFTUNG .....	45
• 2.5. NORMEN .....	45
• 2.6. ALLGEMEINE SICHERHEITSHINWEISE ZUR SICHERHEIT DES BENUTZERS .....	45
<b>3. VERPACKUNG, TRANSPORT UND LAGERUNG .....</b>	<b>46</b>
<b>4. AUFBAU .....</b>	<b>47</b>
• 4.1. AUFSTELLUNGSSORT .....	47
• 4.2. AUFBAU .....	47
<b>5. ANSCHLUSS ANS STROMNETZ .....</b>	<b>47</b>
• 5.1. SPANNUNG .....	47
• 5.2. ELKTRISCHER SCHUTZ .....	48
• 5.3. ANSCHLUSS ANS STROMNETZ .....	48
<b>6. HYDRAULIK DER PUMPE .....</b>	<b>49</b>
• 6.1. SCHUTZ VOR ERFASSUNG .....	49
• 6.2. ABDECKUNGEN/GITTER VON ANSAUGPUNKTEN .....	49
• 6.3. SAUGANSCHLÜSSE PRO PUMPE .....	49
• 6.4. WASSERGE SCHWINDIGKEIT UND -MENGE .....	49
• 6.5. ROHRLEITUNGEN DER ANLAGE .....	49
<b>7. INBETRIEBNAHME .....</b>	<b>50</b>
• 7.1. STARTEN DER PUMPE .....	50
• 7.2. WARTUNG .....	51
• 7.3. INSTANDHALTUNG .....	51
<b>8. DEMONTAGE / MONTAGE .....</b>	<b>52</b>
• 8.1. DEMONTAGE .....	52
• 8.2. MONTAGE .....	52
<b>9. PROBLEMLÖSUNG .....</b>	<b>53</b>
<b>10. TABELLE DER LEITER UND UNTERBRECHER .....</b>	<b>54</b>

## 1. DESCRIPTION

To prevent unnecessary calls to service technicians, prevent possible accidents and obtain the very best performance from you pump, **PLEASE READ THIS MANUAL CAREFULLY.**

These pumps offer a technologically advanced alternative to traditional bronze or cast iron pumps. These have been designed to recirculate lightly treated water in private and public swimming pools, spas and water features.

### 1.1 TECHNICAL CHARACTERISTICS

#### Motor:

Power:	See nameplate
Insulation:	Class F
Service:	Continuous
Protection:	IP55
Voltage:	See nameplate
Consumption:	See nameplate
Frequency:	See nameplate
R.P.M.:	See nameplate
Shaft:	Stainless steel
Bearings:	Shielded ball bearings
Ambienttemp:	Maximum 40° C

#### Pump:

Watertemp.:	Maximum 50° C
Maximumpressure:	2,5 bar
Turbine model:	Closed
Sealtype:	Mechanicalseal
Diffuser:	Synthetic material (PP)
Turbine:	Noryl charged with fibre glass
Pumpbody:	Synthetic material (PP)
∅ intake:	Glue connection ∅90/3" ANSI/BS/JIS
∅ discharge:	Glue connection ∅90/3" ANSI/BS/JIS

## 2. SAFETY INSTRUCTIONS

This manual contains the instructions required for the installation, use and maintenance of the **KA PUMP**. To achieve the maximum performance indicated by the manufacturer in the description ensure you follow all recommendations contained in this manual. Doing so will ensure safe and long-lasting operation of the unit.

**CAREFULLY READ AND FOLLOW ALL SAFETY INSTRUCTIONS PROVIDED IN THE MANUAL AND INDICATED ON THE UNIT.**

Ensure safety labels are kept in good condition and replace them in the event of loss or damage

### 2.1 MANUAL SAFETY SYMBOLS

All instructions that refer to risks to personal safety are indicated with the following symbols:



This symbol indicates a danger. Whenever you see this symbol on the unit or in the manual, look for one of the following messages to find out about the potential risk to personal safety.



**DANGER**

This symbol warns of risks that will cause a fatal or serious personal injury or serious material damage if ignored.



**WARNING**

This symbol warns of risks that may cause a fatal or serious personal injury or serious material damage if ignored.



**CAUTION**

This symbol warns of risks that will or may cause a minor personal injury and/or material damage if ignored.

**ATTENTION**

Other instructions regarding the operation of the unit which could cause physical harm if not carried out.

**NOTICE**

Special instructions not relating to risks.



DIN Standard  
4844-W8

ELECTRICAL DISCHARGE HAZARD.

## 2.2 IMPORTANT SAFETY INSTRUCTIONS

The following basic safety instructions must always be observed when operating this unit:

**WARNING**

To reduce the risk of injury, the unit should be installed and commissioned by qualified personnel or installers.

**CAUTION**

This pump is intended for use in permanent swimming pools, spas and water features. Do not use in collapsible swimming pools.

**WARNING**

**Dangerous pressure levels. Incorrect installation of this unit can cause serious injury or damage to the installation.** Carefully read and follow the manual's instructions during installation and operation of the unit.

1. The unit should be commissioned by qualified personnel or installers.
2. Do not connect the installation to the mains water supply or to a high pressure network.
3. Only use the unit in swimming pool or spa installations.
4. Air inside the installation may cause explosions. You must ensure that all air has been removed from the installation before starting up the unit.

## 2.3 RATING PLATES

The information provided on the rating plate or any other instructions provided by the manufacturer on the unit must be strictly adhered to. The contents of plates and instructions are reflected in this manual under points.

***"1.1. TECHNICAL CHARACTERISTICS AND CHARACTERISTICS AND DIMENSIONS"***.

## 2.4 RESPONSIBILITY

Failure to comply with the instructions provided by the manufacturer in this manual for the selection, handling, installation, commissioning and maintenance of the unit will release the manufacturer or distributor of any liability for possible personal accidents or damage caused to the rest of the installation, and will render the guarantee null and void.

## 2.5 REGULATIONS

Our brand of electric pumps are manufactured in accordance with the essential health and safety requirements stipulated in European Community Directives 2006/42/EC, 2004/108/EC and 2006/95/EC (transposed into Spanish Law in Royal Decrees 1644/2008, 1580/2006 and 7/1988 and amendment 154/1995, respectively).

## 2.6 GENERAL SAFETY INSTRUCTIONS REGARDING USER SAFETY.



DIN Standard  
4844-W9

The safety of the unit supplied can only be guaranteed if used as indicated in the diagrams contained on ***"ILLUSTRATIONS AND ELECTRICAL DRAWINGS"***. Under no circumstances must the operating conditions and limits indicated in this manual (***CHAPTER 1.1. TECHNICAL CHARACTERISTICS***) or those indicated on the electrical rating plate located on the unit be exceeded. Compliance with the provisions of the Safety Regulations in force in each country is mandatory.



Ensure that you have selected the correct unit for the purpose for which it is intended and that the condition, installation, commissioning and subsequent use of the equipment is correct. See chapter “1.1. TECHNICAL CHARACTERISTICS”.



Installation, repair and maintenance operations must always be carried out while the unit is disconnected from the power supply.



Safety elements or electrical connection/disconnection elements must not be activated in the presence of humidity and particular care must be taken to ensure that the operator's hands, footwear or contact surfaces are dry.



The unit must not be moved or have its position corrected during operation. Such tasks should always be carried out when the unit is stopped.



Parts of the equipment that move during operation or may reach high temperatures must be protected with grills or housings to prevent accidental contact with them.



Electrical conductors or live parts must be equipped with suitable insulation. Other metal parts of the unit must be connected to earth.



All necessary spares must be the manufacturer's original spare parts or those recommended by the manufacturer. The use of other spare parts, or originals rectified by third parties, is not permitted and **will release** the manufacturer or distributor from all liability.



This apparatus is not designed to be used by people (including children) with reduced physical, sensorial or mental capabilities, or those lacking experience or knowledge, unless they have received appropriate supervision or instruction on the correct use of the apparatus from a person responsible for its safety.



**This apparatus is not a toy.**  
Ensure that children do not play with it.

### 3. PACKAGING, TRANSPORTATION AND STORAGE

**ATTENTION**

The manufacturer supplies the equipment protected with the appropriate packaging, so as to prevent any damage during transport or storage that may prevent its correct installation and/or operation.

**ATTENTION**

On receiving the unit, check the following points:

- The condition of the outer packaging. If it shows significant signs of damage, formally report it to the person making the delivery.
- Check the condition of the contents. If the contents present imperfections that will presumably prevent the correct operation of the unit, formally report the situation to the supplier within a maximum period of 8 days from receipt.

**ATTENTION**

Storage conditions must be such that they will guarantee the good state of repair of the unit. It is especially important to avoid storing the unit in markedly humid environments or in conditions where brusque temperature changes may occur (resulting in condensation).

## 4. INSTALLATION

### 4.1 SITE

#### ATTENTION

Only qualified personnel should install and connect the unit.

The unit must be installed in a dry site. The site must be equipped with a drainage point in the floor to protect against flooding. If the unit is installed in a humid site, a ventilation system must be installed to prevent the formation for condensation. In cases where the unit is installed in confined areas, a forced ventilation system may be required to ensure that the ambient temperature of 40 °C (104°F) is not exceeded.

Do not store pool chemicals near to the unit.

It is important to leave sufficient clearance to allow for the horizontal removal of the motor block and the vertical removal of the hair filter (see drawing in **FIGURE 1**).

### 4.2 INSTALLATION

The unit must be installed away from corrosive or flammable liquids.

It must be anchored to the floor using four M10 bolts or draw bolts of size 10 diameter and of sufficient length to ensure a secure fixture.

The unit must installed as close to the pool as possible and preferably at an elevation of 0.5 meters below sea level (never more than 3 m) to enable "charged" operation.

The pipes used for the installation must be principally PVC.

The intake pipe must be completely watertight and installed with a downward slope of no less than 1/100, thus preventing the formation of air pockets.

At permanent installations, where the pump is located above the water level (suction installations), the intake pipe must be equipped with a foot valve and every effort must be made to ensure that the majority of the pipe is located below the level of the pump intake shaft until reaching the point that vertically coincides with the shaft. The intake pipe must be a rigid pipe.

At permanent installations where the pump is located below the water level, a stop valve should be installed at both the intake and the discharge.

## 5. ELECTRICAL CONNECTION



DIN Standard  
4844-W8

The electrical installation must fully comply with the Regulations and Supplementary Technical Provisions in force in each country and must be carried out by an authorised installer.



DIN Standard  
4844-W8



Dangerous voltage may cause shock, burns or even death. Connect to ground before connecting the power. The power supply must be equipped with neutral and earth conductors.

### 5.1 VOLTAGE

The supply voltage to the motor must match the voltage indicated on the unit's rating plate, with a permitted variation of + 10%. If the supply voltage is less than 90% or greater than 110% of the voltage indicated on the rating plate, contact the power supply company.

Do not connect a three-phase motor to a single-phase power supply or vice-versa.



## 5.2 ELECTRICAL PROTECTION

The installation on the fixed wiring of an electrical connection/disconnection, protection and switching system which includes all necessary and recommended elements is compulsory. The system must be equipped with:

A disconnecting circuit breaker that guarantees omnipolar disconnection, directly connected to the power supply terminals and with contact separation on all of its poles, providing total disconnection in overvoltage category III conditions.

Short-circuit and overload protection devices on motors.

Power supply via a residual current device (RCD) (differential switch), which has an assigned operating current not exceeding 30 mA.

The unit must not be operated without additional protection (i.e. motor protection relay).

The characteristics and settings of such devices must be suitable for the equipment to be protected and the expected operating conditions. The manufacturer's instructions must be followed at all times (see rating plate).

*See section 10. "TABLE OF CONDUCTORS AND CIRCUIT BREAKERS".*

## 5.3 ELECTRICAL CONNECTION

### GROUND CONNECTION.

The earthed apparatus must be permanently connected to the fixed electrical installation.

All exposed non-live metal parts of the unit that may accidentally become live must be electrically connected to the mains earthing conductor and to the earth connection of the pool structure, in accordance with the specification of the applicable National or Local Electrical Code. Use a copper conductor with a minimum section of 6mm<sup>2</sup> or AWG 13.

### POWER SUPPLY.



This unit is supplied with power cables used for factory testing connected to its connection terminals. These cables must be removed in order to connect the power supply.

### **Never connect the power supply using the factory testing cables.**

The unit must be permanently connected to the fixed electrical installation. Ensure that no other equipment is connected to the same circuit.

The types and sections of power cables must comply with the specifications of the applicable Local or National Electrical Code. *See chapter 10.* You must select cables that are designed to withstand at least the current absorbed by the unit (see nameplate). Cables must be connected to the unit's terminals blocks using the appropriate terminals.

The conductors must enter and exit the unit's connection box through a cable gland, providing a watertight seal to prevent the ingress of water and dirt. *(see fig. 3, 4 and 5).*

On three phase units, care must be taken to correctly position the motor winding connections. *(see fig. 4 and 5).*

Check the motor rotation direction before connecting the pump to the installation and before making the final connection to the mains power supply.

**To change the rotation direction** on three-phase motors, swap the position of two of the motor's power supply cables.

## 6. PUMP HYDRAULIC REQUIREMENTS



### WARNING

The suction of the pump is dangerous and can trap and even drown swimmers. Never use or allow anyone else to use a pool, spa or water feature unless there are at least two inputs on each pump intake line. Never use or operate pools, spas or water features if the grills on intakes are broken or missing.

Follow the instructions listed below to minimise risks.

### 6.1 PROTECTION AGAINST ENTRAPMENT

The pool's suction system must provide protection against the risk of hair entrapment or suction.

### 6.2 COVERS/GRILLES ON INTAKE POINTS

All intake points must have covers/grilles in a good state of repair. Covers/grilles must be replaced if cracked, broken or missing.

### 6.3 PUMP INTAKE POINTS

There must be at least two balanced main drains with grilles for each pump intake line, with a minimum separation of 1m (3 feet) between the centres of the main drain.

The system must be built in such a way that it cannot function if water flows to the pump from just one sump (there must be at least two main drain connected to the pump whenever it is operating). In any case, if two main drain are connected to an individual intake line, that line must be equipped with a valve that allows the flow of water to the pump from both main drains to be shut-off.

### 6.4 WATER SPEED AND FLOW

The maximum water speed must be less than or equal to 1.2 m/s (4 feet per second) unless the intake flow complies with the latest specifications indicated in the regulations of each country, region or community regarding the use of suction systems in swimming pools, spas or water features.

If 100% of the pump's water flow comes from the main drain system, the maximum water speed in the suction system should be 1.2 m/s (4 feet per second) at all times, even if one of the main drains is completely blocked. The water flow in the other remaining drain(s) must comply with the latest specifications indicated in the regulations of each country, region or community regarding the use of suction systems in swimming pools, spas or water features.

### 6.5 PIPE INSTALLATION

The pipe system must have at least the same section as the pump connections, i.e.  $\varnothing 90$  o  $\varnothing 3$ ".

To prevent stresses on the body of the pump, the installation, pipes and associated connection elements, pipes must be correctly aligned with the pump without using force, whilst attempting to ensure that both the intake and discharge pipes are secured independently as close to the pump as possible.

To prevent stresses on the installation due to small differences on the final connection of the installation pipes, we recommend starting the installation at the pump.

### INTAKE.

Cavitation may occur if the pump's intake becomes obstructed, causing damage to the internal elements of the pump. Keep the intake pipe clear of debris, solid residue and dirt.

All pipe systems containing water must be equipped with valves to prevent flooding during pump maintenance.

Never use a pipe with a diameter of less than  $\varnothing 90$  ( $\varnothing 3''$ ).

User larger pipes whenever needed to maintain the water speed below 1.2 m/s (4 feet per second).

The intake pipe must be one continuous run from its starting point to the pump. In order to prevent air pockets, the intake pipe must never be positioned higher than the water level or the level of the pump. Whenever reducers are required to connect the pump, we recommend the use of concentric reducers.

## DISCHARGE

In order to reduce load losses, we recommend the use of pipes of a larger diameter than the pump discharge and the use of as few connection elements as possible. Connection elements that may cause air pockets should not be used under any circumstances.

The diameter of the pipes used must be such that it ensures that the water speed remains below 2 m/s (7 feet per second).

## 7. COMMISSIONING

Before turning on the mains power to the pump unit, ensure that the electrical conditions are correct and manually check that the pump has not seized.

### 7.1 PUMP PRIMING

Ensure that there is no pressure in the filter, pump or pipe system.

**Never run the pump when dry.** The water acts as a coolant for the mechanical seal. If the pump is operated when dry, the mechanical seal may be damaged, causing leaks, flooding and rendering the guarantee null and void.



#### WARNING

- Re-filter to close the manual air output valve when the water flow is constant (there is no air) on the valve discharge. Failure to carry out this task may result in injury.
- If the water level is above the level of the pump, ensure the cover is hermetically sealed and fill the pump by slowly opening the stop valve on the intake whilst keeping the discharge valve open.
- If the water level is below the level of the pump, remove the pre-filter cover and fill with water up to the intake point. Replace the cover, ensuring it is sealed correctly.
- Check that there are no leaks on the pump or the filter. If there are signs of leaks, **DO NOT START THE PUMP.**
- Ensure that the motor turns freely. Never start the pump if the motor is blocked. The motors have a ridge at the end of the shaft in the fan area that allows users to manually check the motor rotation using a screwdriver. (*FIGURE 1*).
- Start the motor for a few seconds, no more than 3, and check that the rotation direction matches the direction of the arrow shown on the fan cover. If this is not the case, advise an authorised service technician. **To change the rotation direction** on three-phase motors, swap the position of two of the motor's power supply cables.
- Check that the motor does not exceed the consumption level indicated on the motor rating plate. If it does, adjust using the valve located on the pump discharge.

## 7.2 MAINTENANCE



DIN Standard  
4844-W8

**Disconnect the power before performing any maintenance task on the pump.**

- **Remember, all changes to the position of the selector valve or the valve manifold of the filter must be made when the pump is stopped.**
- Remember to open the intake and discharge valves again before re-starting the pump.
- The motor bearings are self-lubricating and therefore do not require lubrication.
- The pump's mechanical seal is lubricated with water from the pump itself. It does not require lubrication. The mechanical seal will need to be replaced occasionally due to wear or damage. Replace with KRIPSOL original spareparts.

## 7.3 PRESERVATION



Norma DIN  
4844-W8

**Disconnect the power before performing any maintenance task on the pump.**

- If the pump is not used for a long period of time, or there is a danger of freezing, empty the body of the pump by releasing the drain plugs equipped with O-rings. First check that the installation, pump, filter and pipes are not pressurised.  
Before re-starting the pump, replace the drain plugs and their respective O-rings and prime the pump as described in point 7.1 of this manual. Keep the motor covered and dry while in storage.
- To prevent issues of condensation or corrosion, do not cover or wrap the pump with plastic film or bags. Keep the pump in a dry place.
- Do not start the motor if it has been affected by flood water. Notify a qualified technician to disassemble the motor and dry it out if possible.
- Preservation of outdoor installations:
  1. Empty the installation
  2. Dry as much as possible.
  3. Lubricate seals with neutral Vaseline.
  4. Re-assemble.
  5. Leave drainage covers removed while the pump is not in use.

## 8. DISASSEMBLY / ASSEMBLY

### 8.1 DISASSEMBLY



DIN Standard  
4844-W8



CAUTION

**Close all valves before performing any operation.**

- Disconnect the electrical installation (this must be carried out by an authorised installer).
- Disconnect and release all the cables in the connection box.
- Release the intake and discharge hoses.
- Empty the pump by removing the drain plugs and their O-rings.

To disassemble and assemble the pump, see exploded view drawing (*POINT 12. EXPLODED VIEW DRAWING*). To separate the motor from the body, remove the 6+2 screws, then extract the motor unit together with the diffuser and the turbine.

In order to disarm the impeller remove the impeller cap and its O-ring (threaded), using an 8 mm Allen wrench. This way the impeller gets released.

The moving part of the mechanical seal will also be released when this operation is carried out.

### 8.2 ASSEMBLY

**ALL PARTS TO BE COUPLED DURING ASSEMBLY MUST BE CLEAN AND IN PERFECT CONDITION.**

To assemble the pump:

- Assemble the mechanical seal. Position the moving part of the seal on the shaft of the impeller, pressing it down until it fits into the seat. You must have lubricated the moving part of the mechanical seal with water beforehand.
- Assemble the turbine on the motor shaft, using an anaerobic sealant to fix the metal parts in position and screwing it onto the shaft. This will connect the two tracks of the mechanical seal together.
- Position the diffuser onto the connecting body, correctly lining up the fixing points. The diffuser can only be mounted onto the body in one position.
- Position the O-rings on both the diffuser and the body.
- Mount the motor assembly on the pump body using 6+2 screws.

To request a spare part, you will need the name of the part, the number displayed on the exploded view drawing and the rating plate details.

## 9. TROUBLE SHOOTING

SYMPTOM	POSSIBLE CAUSE																	
	1.ELECTRICAL										2.MECHANICAL				3.INSTALLATION			
	1	2	3	4	5	6	7	8	9	10	1	2	3	4	1	2	3	4
PUMP WORKS BUT DOES NOT PUMP OUT WATER											X	X			X	X		X
THE PUMP DOES NOT PUMP OUT ENOUGH WATER			X	X							X		X		X	X		
INSUFFICIENT PRESSURE			X	X				X	X		X		X		X	X		
EXCESSIVE VIBRATIONS								X	X		X			X		X	X	
ABNORMAL NOISE								X	X		X	X		X		X	X	
THE PUMP STOPS	X	X	X	X	X	X	X	X		X								
OVERHEATING		X	X	X					X	X			X	X			X	

CAUSE	POSSIBLE ORIGIN
<b>1.ELECTRICAL</b>	
1.1 The installation has no power.	Check each phase at the input to the control panel. Check the protection devices.
1.2 There is not power on a phase	Check each phase at the input to the control panel. Check that the protection devices are in good condition.
1.3 Low motor voltage.	The voltage on the motor terminals should be within $\pm 10\%$ of the nominal voltage stated on the motor rating plate.
1.4 Incorrect motor connection.	Check the terminal connection diagram.
1.5 Control fault.	Check the control device on the pump for a malfunction.
1.6 Activation of thermal protection device.	Check for a mechanical obstruction or an overload.
1.7 Insulation fault.	Check that the motor windings are correctly earthed. Use a resistance meter to do so.
1.8 Open windings.	Check each winding with a resistance meter.
1.9 Frequency variation.	Check the frequency of the mains power supply. The variation must be less than 5% of the frequency indicated on the motor.
1.10 Wrong rotation direction.	Change the rotation direction on three-phase motors by swapping two of the motor's power supply cables.

SYMPTOM	POSSIBLE CAUSE
<b>2.MECHANICAL</b>	
2.1 Obstructed flow.	Locate and remove the obstruction. See the corresponding section of this manual for instructions on how to disassemble the pump.
2.2 The pump doesn't prime.	Try to prime the pump again. Check the intake system for air leaks.
2.3 Internal leaks.	Check the impellor for wear on the seals. See repair instructions.
2.4 Missing parts.	Inspect and repair.
<b>3.INSTALLATION</b>	
3.1 The pressure required for the installation is higher than the pump pressure.	Compare the pressure and flow of the pump on the pump curve. Check that the valve on the discharge is not partially or fully closed. Reduce the pressure requirements of the installation.
3.2 Obstructionontheintake.	Locate and remove the obstruction.
3.3 The pump pressure is higher than the installation pressure for the defined flow.	Check the intake pipe for obstructions, leaks, open by-pass valves, etc. If necessary, reduce the flow by partially closing the discharge valve.
3.4 The intake height exceeds 3 m.	Install the pump as close as possible on the vertical line of the intake tank.

## 10. TABLE OF CONDUCTORS AND CIRCUIT BREAKERS

- This table applies to both 50Hz y 60Hz

MOTOR POWER	FREQUENCY	VOLTAGE	SINGLE-PHASE / THREE-PHASE	CIRCUIT BREAKER RANGE	CABLE SECTION
2,50 HP	50/60 Hz	230 V	SINGLE-PHASE	10 - 16 A	6 mm <sup>2</sup> - AWG 9
		230 V	THREE-PHASE	6.3 - 10 A	2.5 mm <sup>2</sup> - AWG 13
		400 V		4 - 6.3 A	
3,00 HP	50/60 Hz	230 V	SINGLE-PHASE	10 - 16 A	6 mm <sup>2</sup> - AWG 9
		230 V	THREE-PHASE	6.3 - 10 A	2.5 mm <sup>2</sup> - AWG 13
		400 V		4 - 6.3 A	
3,50 HP	50/60 Hz	230 V	THREE-PHASE	10 - 16 A	4 mm <sup>2</sup> - AWG 11
		400 V		6.3 - 10 A	2.5 mm <sup>2</sup> - AWG 13
4,50 HP	50/60 Hz	230 V	THREE-PHASE	10 - 16 A	4 mm <sup>2</sup> - AWG 11
		400 V		6.3 - 10 A	2.5 mm <sup>2</sup> - AWG 13
5,50 HP	50/60 Hz	230 V	THREE-PHASE	10 - 16 A	6 mm <sup>2</sup> - AWG 9
		400 V		6.3 - 10 A	2.5 mm <sup>2</sup> - AWG 13
		700 V		4 - 6.3 A	

## 1. BESCHREIBUNG

**LESEN SIE AUFMERKSAM DIESE BEDIENUNGSANLEITUNG DURCH**, um unnötige Anrufe bei technischen Diensten zu vermeiden, Unfällen vorzubeugen und die beste Leistung Ihre Pumpe zu erzielen.

Diese Elektropumpen bieten eine technologisch fortschrittliche Alternative zu den traditioneller Pumpen aus Bronze oder Guß an, wurden zur Umwälzung von leicht behandeltem Wasser in privaten und öffentlichen Schwimmbecken, Spas und Wasserspielen entworfen.

### 1.1 TECHNISCHE MERKMALE

#### Motor:

Leistung: Siehe Typenschild  
Isolierung: Klasse F  
Dienst: Durchgängig  
Schutz: IP55  
Spannung: Siehe Typenschild  
Verbrauch: Siehe Typenschild  
Frequenz: Siehe Typenschild  
Umdrehungen  
pro Minute (rpm): Siehe Typenschild  
Achse: Rostfreier Stahl  
Lager: Verkleidetes Wälzlager  
Umgebungstemperatur: Maximal 40°C

#### Pumpe:

Wassertemperatur: Maximal 50°C  
Maximaler Druck: 2,5 bar  
Turbinenmodell: Geschlossen  
Dichtungsart:  
Mechanischer Wellendichtring  
Diffusor: Kunststoff (PP)  
Turbine: Noryl mit FV-Ladung  
Pumpenkörper: Kunststoff (PP)

∅ Saugleitung: Befestigt ∅90/3" ANSI/BS/JIS

∅ Druckleitung: Befestigt ∅90/3" ANSI/BS/JIS

## 2. SICHERHEITSHINWEISE

Diese Bedienungsanleitung enthält alle Anweisungen, die zum Aufbau, zur Verwendung und zu Wartung der **PUMPE KA** erforderlich sind. Um die maximale, vom Hersteller beschriebene Leistung zu erzielen, ist es notwendig, alle in dieser Bedienungsanleitung aufgeführten Empfehlungen zu befolgen. So kann das Gerät sicher und langfristig betrieben werden.

**LESEN SIE ALLE SICHERHEITSHINWEISE IN DIESER BEDIENUNGSANLEITUNG UND AM GERÄT AUFMERKSAM DURCH UND BEFOLGEN SIE SIE.**

Halten Sie die Sicherheitsetiketten in einem guten Zustand und ersetzen Sie sie, falls sie verloren gehen oder unlesbar werden.

### 2.1 SICHERHEITSSYMBOL IN DER BEDIENUNGSANLEITUNG

Alle Anweisungen, die auf Gefahren für Personen hinweisen, sind mit den folgenden Symbolen gekennzeichnet:



Dies ist das Warnzeichen. Wenn Sie dieses Symbol am Gerät oder in der Bedienungsanleitung sehen, suchen Sie nach einer der folgenden Meldungen, um vor einem möglichen Personenschaden gewarnt zu sein.



**GEFAHRE**

Warnung vor Gefahren, die bei Nichtbeachtung zum Tod, zu schweren körperlichen Verletzungen oder zu schweren Materialschäden führen.



**WARNUNG**

Warnung vor Gefahren, die bei Nichtbeachtung zum Tod, zu schweren körperlichen Verletzungen oder zu schweren Materialschäden führen.



**VORSICHT**

Warnung vor Gefahren, die bei Nichtbeachtung zu Personenschäden oder leichten Materialschäden führen können.

**ACHTUNG**

Andere Warnungen in Bezug auf die Gerätefunktion, die zu körperlichen Schäden führen können.



## HINWEIS

Besondere Hinweise, die nicht vor Gefahren warnen.



DIN NORM  
4844-W8

## GEFÄHRLICHE ELEKTRISCHE SPANNUNG

### 2.2 WICHTIGE SICHERHEITSHINWEISE

Im Umgang mit diesem Gerät müssen immer die folgenden grundlegenden Sicherheitsmaßnahmen getroffen werden:



#### WARNUNG

Um die Verletzungsgefahr zu reduzieren, sollten Aufbau und Inbetriebnahme dieses Gerätes immer von einem Fachmann durchgeführt werden.



#### VORSICHT

Diese Pumpe ist zur Verwendung in festen Schwimmbecken, Spas und Wasserspielen bestimmt. Nicht in abbaubaren Swimmingpools verwenden.



#### WARNUNG

**Gefährlicher Druck. Der falsche Aufbau des Gerätes kann zu schweren Verletzungen oder zu Schäden an der Anlage führen.** Folgen Sie den Anweisungen in der Bedienungsanleitung bei Aufbau und Inbetriebnahme des Gerätes.

1. Die Inbetriebnahme muss von einem Fachmann durchgeführt werden.
2. Schließen Sie die Anlage nicht an das Wasserversorgungsnetz oder an ein Hochdrucknetz an.
3. Verwenden Sie das Gerät nur in Schwimmbecken oder Spas.
4. Luft in der Anlage kann zu Explosionen führen. Vergewissern Sie sich vor Inbetriebnahme dass alle Luft aus der Anlage entfernt wurde.

### 2.3 TYPENSCHILDER

Alle Anweisungen auf dem Typenschild und auf weiteren Etiketten, die der Hersteller am Gerät angebracht hat, müssen genau befolgt werden. Der Inhalt derselbigen ist in dieser Bedienungsanleitung unter den Punkten **“1.1 TECHNISCHE MERKMALE und KENNZEICHEN UNTER MASSEN”**.

### 2.4 HAFTUNG

Die Nichtbeachtung der vom Hersteller in dieser Bedienungsanleitung gegebenen Anweisungen zu Auswahl, Handhabung, Aufbau, Inbetriebnahme und Wartung des Gerätes befreit Hersteller und Händler von jeglicher Haftung für mögliche Personenunfälle oder Schäden am Rest der Anlage und führt außerdem zum Verlust der Garantie.

### 2.5 NORMEN

Die Elektropumpen unserer Marke werden gemäß den durch die EU-Richtlinien 2006/42/EG 2004/108/EG und 2006/95/EG (welche durch die Königlichen Dekrete, “Reales Decretos” 1644/2008, 1580/2006 und 7/1988 und ihre Modifizierung 154/1995 ins spanische Gesetz eingegangen sind) festgelegten grundlegenden Sicherheits- und Gesundheitsanforderungen hergestellt.

### 2.6 ALLGEMEINE SICHERHEITSHINWEISE ZUR SICHERHEIT DES BENUTZERS



DIN NORM  
4844-W9

Der sichere Betrieb des bereitgestellten Gerätes kann nur garantiert werden, wenn es gemäß den Schaltplänen auf **Seite “ABBILDUNGEN”** verwendet wird. Die Bedingungen und Grenzen für den Betrieb, die in dieser Bedienungsanleitung (**KAPITEL 1.1 TECHNISCHE MERKMALE**) und auf dem Typenschild an der Pumpe ausgewiesen werden, dürfen nicht überschritten werden. Die Sicherheitsnormen im jeweiligen Land der Inbetriebnahme müssen eingehalten werden.



DIN NORM  
4844-W9

Vergewissern Sie sich, dass das Gerät für die bestimmungsgemäße Verwendung ausgewählt wurde, es sich in einwandfreiem Zustand befindet und Aufbau Inbetriebnahme und spätere Verwendung korrekt durchgeführt werden. Siehe Kapite 1.1 **TECHNISCHE MERKMALE**.



DIN NORM  
4844-W8

Aufbau-, Reparatur- und Wartungsarbeiten sind nur dann vorzunehmen, wenn das Gerät vom elektrischen Stromnetz getrennt wurde.



DIN NORM  
4844-W8

Elektrische Komponenten zum Ein-/Ausschalten oder zur Sicherheit dürfen nicht bei Feuchtigkeit betrieben werden, wobei insbesondere auf trockene Hände, Schuhe und Kontaktoberflächen zu achten ist.



DIN NORM  
4844-W8

Während das Gerät in Betrieb ist, darf es weder verschoben noch seine Position geändert werden. Diese Eingriffe dürfen nur bei ausgeschaltetem Gerät durchgeführt werden.



DIN NORM  
4844-W9

Komponenten des Gerätes, die während des Betriebs in Bewegung sind oder hohe Temperaturen erreichen, sind durch Gitter oder Gehäuse geschützt, um unbeabsichtigten Kontakt mit ihnen zu verhindern.



DIN NORM  
4844-W8

Elektrische Leitungen oder Teile davon, die unter Spannung stehen können, sind angemessen isoliert. Andere Metallteile des Gerätes werden fest geerdet.



DIN NORM  
4844-W9

Als Ersatzteile sind Originalteile des Herstellers oder von ihm empfohlene Teile zu verwenden. Die Verwendung von anderen Teilen oder von Dritten empfohlener Originalteilen ist nicht gestattet und führt zur Aufhebung der Haftung durch der Hersteller oder den Händler.



**GEFAHE**

Dieses Gerät darf nicht von Personen (Kinder eingeschlossen) verwendet werden, deren körperlichen, sensorischen oder geistigen Fähigkeiten eingeschränkt sind, oder die über keine Erfahrungen bzw. Kenntnisse zum Umgang mit dem Gerät verfügen, es sei denn, der Umgang geschieht unter Aufsicht bzw. Unterrichtung durch eine verantwortliche Person.



**GEFAHE**

**Dieses Gerät ist kein Spielzeug.**

Kontrollieren Sie, dass keine Kinder damit spielen.

### 3. VERPACKUNG, TRANSPORT UND LAGERUNG

**ACHTUNG**

Der Hersteller liefert das Gerät geschützt durch eine angemessene Verpackung damit bei Transport und Lagerung keine Schäden entstehen, die den korrekter Aufbau und/oder Betrieb des Gerätes verhindern.

**ACHTUNG**

Die folgenden Punkte sind vom Benutzer bei Erhalt des Gerätes zu prüfen:

- Zustand der äußeren Verpackung. Trägt diese Zeichen schwerer Beschädigung, ist dies formell der Lieferperson mitzuteilen.
- Zustand des Inhaltes. Sollten Schäden erkennbar sein, die vermutlich die Funktion des Gerätes beeinträchtigen, so ist dies dem Hersteller innerhalb der nächsten 8 Tage nach Erhalt formell mitzuteilen.

**ACHTUNG**

Die Lagerungsbedingungen sollten den guten Zustand des Gerätes gewährleisten und bewahren. Als besonders wichtige Bedingung ist dabei die Vermeidung von Orten mit ausgeprägter Feuchtigkeit oder plötzlichen Temperaturschwankungen (die zu Kondensation führen) zu nennen.

## 4. AUFBAU

### 4.1 AUFSTELLUNGORT

#### ACHTUNG

Aufbau und Anschluss des Gerätes sind ausschließlich von qualifizierten Personen durchzuführen.

Der Aufstellungsort des Gerätes muss trocken sein. In jedem Fall muss sich als Schutz vor Überflutung ein Abfluss im Boden befinden. Wenn das Gerät an einem feuchten Ort aufgebaut wird, ist ein Ventilationssystem zur Vermeidung von Kondenswasser einzurichten. Bei Aufbau an einem Ort mit sehr begrenztem Raum ist die Kühlung durch die Luft möglicherweise so gering, dass ein künstliches Ventilationssystem eingerichtet werden muss, damit die Umgebungstemperatur nicht 40 °C (104 °F) übersteigt.

Die chemischen Produkte für das Schwimmbecken dürfen nicht in der Nähe des Gerätes aufbewahrt werden. Es ist wichtig, genügend Raum zum horizontalen Abmontieren des Motorblocks und vertikalen Abmontieren des Haarfilters zu reservieren (*siehe Plan in ABBILDUNG 1*).

### 4.2 AUFBAU

Der Aufbau darf nicht in der Nähe von korrosiven oder entzündlichen Flüssigkeiten stattfinden.

Das Gerät mit 4 M10-Schrauben oder Holzschrauben mit Ø10 mm Durchmesser und einer Länge, die seine sichere Befestigung gewährleistet, befestigen.

Das Gerät so dicht wie möglich am Schwimmbecken und vorzugsweise 0,5 m (niemals mehr als 3 m) unter dem Wasserspiegel aufbauen, um seine Funktion bei Ladung zu gewährleisten. Die in der Anlage zu verwendenden Rohrleitungen werden vorher aus PVC eingerichtet.

Die Saugleitung muss komplett dicht sein und mit einem absteigenden Gefälle (mindestens 1%) angebracht werden, so dass sich keine Luftblasen bilden können.

In festen Anlagen, bei denen sich die Pumpe über dem Wasserspiegel befindet (SAUGANLAGEN) muss in der Saugleitung ein Bodenventil angebracht sein, so dass die Saugleitung größtenteils unter der Saugachsebene der Pumpe verläuft, bis die Leitung vertikal die Ebene erreicht. Die Saugleitung muss starr sein.

In festen Anlagen, bei denen sich die Pumpe unter dem Wasserspiegel befindet, ist sowohl in der Saug- als auch in der Druckleitung ein Sperrventil einzusetzen.

## 5. ANSCHLUSS ANS STROMNETZ



DIN NORM  
4844-W8

Die Einrichtung der Stromversorgung erfolgt gemäß den technischen Vorschriften und Bestimmungen des jeweiligen Landes und ist von einem befugten Installateur vorzunehmen.



DIN NORM  
4844-W8

#### GEFAHE

Gefährliche Spannung. Kann zu Erschütterungen, Verbrennungen oder zum Tod führen. Vor dem Anschluss ans Stromnetz erden. Das Versorgungsnetz verfügt über Leitungen mit Neutral- und Schutzleitern.

### 5.1 SPANNUNG

Die Versorgungsspannung des Motors muss den Angaben auf dem Typenschild am Gerät entsprechen und kann von diesen  $\pm 10\%$  abweichen. Wenn die Spannung niedriger als 90% oder höher als 110% der angegebenen Spannung ist, kontaktieren Sie Ihr Energieversorgungsunternehmen.

Dreiphasige Motoren dürfen niemals an eine einphasige Versorgung angeschlossen werden, ebenso wenig wie einphasige Motoren an eine dreiphasige Versorgung.

## 5.2 ELKTRISCHER SCHUTZ

An der festen Verkabelung muss ein elektrisches System bestehend aus Ein-/Ausschaltfunktion Schutz- und Bedienungsvorrichtungen angebracht werden, mit allen erforderlichen und empfohlenen Komponenten.

Das System muss über folgende Komponenten verfügen:

Trennschalter, der die Abschaltung aller Pole sicherstellt; er ist direkt mit der Versorgungsklemmen verbunden und muss an allen Polen über eine Kontakttrennung verfügen über die die Komplettabschaltung bei Überspannungen der Kategorie III läuft.

Schutzvorrichtungen gegen Kurzschluss und Überladung in den Motoren.

Versorgung über eine Fehlerstromschutzeinrichtung (RCD) mit einer zugewiesener Differenzstromstärke von maximal 30 mA.

Das Gerät darf nur mit einem zusätzlichen Schutz betrieben werden (Motorschutzschalter). Merkmale und Regelungen dazu entsprechen den zu schützenden Geräten und den dafür vorgesehener Betriebsbedingungen; die Anweisungen des Herstellers sind zu befolgen (siehe Typenschild des Gerätes)

Siehe Abschnitt 10. TABELLE DER LEITER UND UNTERBRECHER

## 5.3 ANSCHLUSS ANS STROMNETZ

### ERDUNG.

Das geerdete Gerät muss permanent mit der festen elektrischen Leitung verbunden sein.

Alle Metallteile des Gerätes, die nicht unter Spannung stehen sollten, es aber versehentlich doch tur könnten und für Personen zugänglich sind, müssen mit dem Erdungsleiter des Netzes und der Erdverbindung der Schwimmbeckenstruktur gemäß den nationalen und lokalen Normen verbunden werden.

Kupferkabel mit einem Mindestquerschnitt von 6 mm<sup>2</sup> oder AWG 13 verwenden.

### VERSORGUNG.



DIN NORM  
4844-W8



An den Anschlüssen des Gerätes sind zu seiner werkseitigen Überprüfung bereits einige Versorgungskabel angeschlossen. Diese Kabel müssen für den Anschluss an das elektrische Stromnetz entfernt werden.

### **Schließen Sie niemals diese Kabel aus dem Werk an das elektrische Stromnetz an.**

Das Gerät muss permanent mit der festen elektrischen Leitung verbunden sein und es dürfen keine weiteren Geräte an denselben Stromkreis angeschlossen sein.

Querschnitte und Arten der Versorgungskabel müssen den nationalen und lokalen Normen entsprechen. *Siehe Punkt 10.* Die Auswahl der Kabel muss so erfolgen, dass sie, ohne Schader zu nehmen, mindestens die vom Gerät absorbierte Stromstärke aushalten (siehe Typenschild). Die Verbindung der Kabel mit dem Gerät erfolgt über die entsprechenden Anschlüsse.

Ein- und Ausgang der Leiter am Klemmkasten des Gerätes erfolgen über Stopfbuchsen, durch die die Trockenheit und Sauberkeit im Inneren des Kastens gewährleistet wird, da die Buchsen verschlussdicht sind (*siehe Abbildung 3, 4 und 5*).

Bei dreiphasigen Geräten müssen die Verbindungsbrücken der Motorwicklung entsprechend positioniert werden (*siehe Abbildung 4 und 5*).

Vor Anschluss der Pumpe an die Anlage und an das Stromnetz muss die Drehrichtung des Motors überprüft werden.

**Zur Änderung der Drehrichtung in dreiphasigen Motoren** ist die Position von zwei Versorgungskabeln des Motors zu vertauschen.



### WARNUNG

**Die Saugkraft der Pumpe ist gefährlich und kann Badende erfassen oder ertränken. Die Benutzung eines Schwimmbeckens, Spas oder Wasserspiels ist nur dann zulässig, wenn es über mindestens zwei**

**Eingänge zu jeder Saugleitung der Pumpe verfügt. Schwimmbecken, Spa oder Wasserspiel nicht benutzen oder betreiben, wenn die Ansauggitter beschädigt oder nicht vorhanden sind.** Zur Minimalisierung von Gefahren sind die im Folgenden aufgeführten Anweisungen zu befolgen.

### 6.1 SCHUTZ VOR ERFASSUNG

Das Saugsystem des Schwimmbeckens muss über einen Schutz vor Einsaugung und Erfassung von Haaren verfügen.

### 6.2 ABDECKUNGEN/GITTER VON ANSAUGPUNKTEN

Alle Ansaugpunkte müssen mit Gittern abgedeckt sein und sich in optimalem Zustand befinden. Beschädigte, kaputte oder nicht vorhandene Gitter müssen ersetzt werden.

### 6.3 SAUGANSCHLÜSSE PRO PUMPE

Es sind mindestens zwei ausgeglichene Hauptabflüsse vorzusehen, die für jede Saugleitung der Pumpe ihre Gitter haben und mindestens 1 m weit auseinander liegen müssen.

Das System ist so aufzubauen, dass es nicht funktionieren kann, wenn das Wasser zu der Pumpe mit nur einem einzigen Abfluss fließt (es müssen immer mindestens zwei Hauptabflüsse mit der Pumpe verbunden sein, wenn diese in Betrieb ist). Wenn zwei Hauptabflüsse mit einer einzelnen Saugleitung verbunden sind, so muss diese in jedem

### 6.4 WASSERGESCHWINDIGKEIT UND -MENGE

Die Höchstgeschwindigkeit des Wassers darf maximal 1,2 m/s (4 Fuß pro Sekunde) betragen, es sei denn, die Saugeingänge erfüllen die aktuellen, anderslautenden Normen für Saugsysteme in Schwimmbecken, Spas oder Wasserspielen des jeweiligen Landes oder Bundeslandes.

Wenn 100 % der Wassermenge in der Pumpe aus dem Hauptabflusssystem stammt, darf die Höchstgeschwindigkeit des Wassers im Saugsystem bei maximal 1,2 m/s (4 Fuß pro Sekunde) liegen, auch wenn einer der Hauptabflüsse komplett blockiert ist.

Die Wassermenge, die durch den übrigen Abfluss oder die Hauptflüsse fließt, muss die aktuellen Normen für Saugsysteme in Schwimmbecken, Spas oder Wasserspielen des jeweiligen Landes oder Bundeslandes erfüllen.

### 6.5 ROHRLEITUNGEN DER ANLAGE

Das Rohrleitungssystem muss mindestens dem Querschnitt der Pumpenanschlüsse entsprechen, d. h. Rohre mit einem Durchmesser von 90 mm (3 Zoll).

Um Spannungen im Pumpenkörper und in der Anlage vorzubeugen, sind Rohrleitungen und ihre Verbindungselemente an der Pumpe ohne Gewalt auszurichten, so dass sowohl die Saugleitung als auch die Druckleitung unabhängig so nah wie möglich an der Pumpe befestigt sind.

Um Spannungen in der Anlage durch kleine Unterschiede bei der letzten Verbindung der Leitungen zu vermeiden, wird empfohlen, die Montage der Rohrleitungen von der Pumpe aus zu beginnen.

### SAUGLEITUNG

Wenn die Ansaugung der Pumpe blockiert wird, kann es zur Kavitation der Pumpe kommen und so ihre Innenteile beschädigt werden. Die Leitung muss frei von Schutt, festen Rückständen und Verschmutzungen bleiben.

Um Überflutungen während der Pumpenwartung zu vermeiden, müssen alle wasserführende Rohrleitungssysteme über Ventile verfügen.

Für die Ansaugung niemals eine Rohrleitung verwenden, deren Durchmesser weniger als 90 mm (3 Zoll).

Immer dann größere Rohrleitungen verwenden, wenn die Anlage es verlangt, um die Wassergeschwindigkeit unter 1,2 m/s (4 Fuß pro Sekunde) zu halten. Die Saugleitung muss durchgängig vom Beginn bis zur Pumpe führen. Um Luftblasen vorzubeugen darf die Saugleitung an keinem Punkt über dem Wassereintrittspegel und der Höhe der Pumpe liegen. Wenn zum Anschluss der Pumpe Verbindungsaufsätze verwendet werden, so werden konische Aufsätze empfohlen.

## DRUCKLEITUNG

Um Ladungsverluste zu vermeiden, wird empfohlen, Rohrleitungen mit einem größeren Durchgang als der Pumpenausgang und mit so wenig Verbindungsstücken wie möglich zu verwenden, wobei niemals Verbindungsstücke, die Luftblasen verursachen können, eingesetzt werden dürfen.

Der Durchmesser dieser Rohrleitungen muss so gewählt werden, dass die Wassergeschwindigkeit in den Rohren 2 m/s (7 Fuß pro Sekunde) nicht überschreitet.

## **7. INBETRIEBNAHME**

Bevor das Gerät mit elektrischem Strom versorgt wird, muss sichergestellt werden, dass es sich in einem einwandfreien elektrischen Zustand befindet und manuell überprüft werden, dass die Pumpe nicht klemmt.

### **7.1 STARTEN DER PUMPE**

Vergewissern Sie sich, dass in Filter, Pumpe und Leitungssystem kein Druck besteht.

**Vermeiden Sie den Betrieb der Pumpe im Trockenem.** Das Wasser dient als Kühlung der Gleitringdichtung. Wenn die Pumpe ohne Wasser betrieben wird, kann die Gleitringdichtung beschädigt werden, was zu Lecks, Überflutungen und Verlust der Garantie führt.



### **WARNUNG**

- Erneut filtern, um das manuelle Luftausgangsventil zu schließen, wenn im Druckausgang des Ventils konstanter Wasserfluss herrscht (keine Luft vorhanden). Dieser Schritt muss durchgeführt werden, weil ansonsten Personenschäden entstehen können.
- Wenn die Pumpe unter dem Wasserspiegel montiert wurde, die Pumpe füllen, indem langsam das Sperrventil der Saugleitung bei gleichzeitig offenem Ventil der Druckleitung geöffnet wird.
- Wenn die Pumpe über dem Wasserspiegel montiert wurde, die Abdeckung des Vorfilters entfernen und die Pumpe bis zur Höhe des Saugmundes mit Wasser füllen. Die Abdeckung luftdicht verschließen.
- Überprüfen, dass weder die Pumpe noch der Filter ein Leck hat.  
Bei Lecks **DIE PUMPE NICHT IN BETRIEB NEHMEN.**
- Überprüfen, dass der Motor frei rotiert. Nicht starten, wenn der Motor blockiert ist. Zu diesem Zweck hat der Motor eine Kerbe außen an der Achse der Ventilatorzone, durch die mit einem Schraubenzieher manuell die freie Rotation überprüft werden kann (**ABBILDUNG 1**).
- Den Motor wenige Sekunden, nicht mehr als 3, starten, um zu überprüfen, dass die Drehrichtung mit dem Pfeil auf der Ventilatorabdeckung übereinstimmt. Sollte dies nicht der Fall sein, dem technischen Dienst Bescheid geben. **Zur Änderung der Drehrichtung** in dreiphasigen Motoren ist die Position von zwei Versorgungskabeln des Motors zu vertauschen.

- Überprüfen, dass der Motor nicht den auf seinem Typenschild angegebenen Verbrauch überschreitet. Andernfalls mit dem Ventil an der Ansaugung der Pumpe korrekt einstellen.

## 7.2 WARTUNG



DIN NORM  
4844-W8

**Die Pumpe vor jedem Eingriff vom Stromnetz trennen.**

- **Immer daran denken, dass Positionsänderungen des Mehrwegeventils oder der Ventilbatterie des Filters nur bei ausgeschalteter Pumpe vorgenommen werden dürfen.**
- Vor dem Wiedereinschalten der Pumpe immer daran denken, die Saug- und Druckventile wieder zu öffnen.
- Die Wälzlager des Motors verfügen über ihre eigene Schmierung und müssen nicht geschmiert werden.
- Die Gleitringdichtung der Pumpe wird mit dem Wasser in der Pumpe geschmiert. Es ist keine Schmierung erforderlich. Gelegentlich müssen diese Dichtungen wegen Abnutzung oder Beschädigung ersetzt werden. Sie sind durch Originalersatzteile von KRIPSOL auszutauschen.

## 7.3 INSTANKHALTUNG



DIN NORM  
4844-W8

**Die Pumpe vor jedem Eingriff vom Stromnetz trennen.**

- Wenn die Pumpe für längere Zeit ausgeschaltet bleibt oder Einfrierungsgefahr besteht, muss der hydraulische Körper durch Lösen der Entleerungsverschlüsse mit O-Ring entleert werden. Vorher kontrollieren, dass Anlage, Pumpe, Filter und Leitungen nicht unter Druck stehen.
- Vor erneutem Starten der Pumpe die Entleerungsverschlüsse mit O-Ring wieder aufsetzen und die Pumpe wie in Punkt 7.1 dieser Bedienungsanleitung beschrieben auffüllen.
- Den Motor bei Überflutung nicht starten. Demontage und Trockenlegung des Motors, falls möglich, nur von einem Fachmann vornehmen lassen.
- Den Motor trocken und abgedeckt während der Aufbewahrung lagern. Zur Vermeidung von Kondensation und Korrosion die Pumpe nicht mit Film oder Plastiktüten abdecken oder einwickeln. Die Pumpe an einem trockenen Ort lagern.

Zur Instandhaltung von Außenanlagen:

1. Anlageleeren.
2. Trocknen, falls nötig.
3. Dichtung mit neutraler Vaseline schmieren.
4. Wiedermontieren.
5. Die Entleerungsverschlüsse während der Lagerung abmontiert lassen.

## 8. DEMONTAGE / MONTAGE

### 8.1 DEMONTAGE



DIN-NORM  
4844-W8



**VORSICHT**

**Vor jedem Eingriff müssen alle Ventile geschlossen sein.**

- Die elektrische Anlage trennen (durchzuführen von einem befugten Installateur).
- Alle Kabel aus dem Klemmkasten abtrennen und lösen.
- Saug- und Druckmanschettenlösen.
- Die Pumpe durch Öffnen der Entleerungsverschlüsse mit O-Ring leeren.

Zur Demontage und Montage der Pumpe siehe Stückliste (**PUNKT 12. STÜCKLISTE**).

Zur Trennung des Motors vom hydraulischen Körper die 6 und 2 Schrauben lösen und so den Motorkomplex mit Diffusor und Turbine herausnehmen.

Um die Turbine zu demontieren, nehmen Sie den Schraubenstöpfen der Turbine mit einem Allenschlüssel weg. Damit bleibt die Turbine befreit

Bei Durchführung dieses Eingriffs wird auch der bewegliche Teil der Gleitringdichtung gelöst.

### 8.2 MONTAGE

**ALLE ZUSAMMENZUSETZENDEN TEILE MÜSSEN SAUBER UND IN EINWANDFREIEM ZUSTAND SEIN.**

Zur Montage der Pumpe:

- Gleitringdichtung einsetzen. Den beweglichen Teil der Dichtung mit der Turbinenachse zusammenfügen, wobei die Turbine solange gedrückt wird, bis sie einrastet. Vorher muss der bewegliche Teil der Gleitringdichtung mit Wasser geschmiert werden.
- Die Turbine mit der Motorachse zusammenfügen und sie mit einem anaerobischen Klebemittel für Metallteile an der Achse befestigen. So werden die beiden Spuren der Gleitringdichtung miteinander verbunden.
- Den Diffusor auf den Verbindungskörper montieren, wobei die Befestigungspunkte aneinander ausgerichtet werden. Bei der Montage des Diffusors auf dem Verbindungskörper gibt es nur eine Montageposition.
- O-Ringe des Diffusors und des Verbindungskörpers anbringen.
- Den so montierten Motor am Pumpenkörper mit 6+2 Schrauben.

Bei Bestellung von Ersatzteilen immer die jeweilige Bezeichnung, die in der Abbildung angegebene Nummer und die Daten des Typenschildes angeben.



## 9. PROBLEMLÖSUNG

STÖRUNG	MÖGLICHE URSACHE																	
	1. ELEKTRONIK										2. MECHANIK				3. ANLAGE			
	1	2	3	4	5	6	7	8	9	10	1	2	3	4	1	2	3	4
BPUMPE FUNKTIONERT, ABER FÖRDERT KEIN WASSER											X	X			X	X		X
UNZUREICHENDE FÖRDERMENGE			X	X						X		X		X	X			
UNZUREICHENDER DRUCK			X	X				X	X	X		X		X	X			
STARKE VIBRATION								X	X	X			X		X	X		
UNGEWÖHNLICHES GERÄUSCH								X	X	X	X		X		X	X		
PUMPE BLEIBT STEHEN	X	X	X	X	X	X	X	X	X									
ÜBERHITZUNG		X	X	X				X	X			X	X			X		

GRUND	MÖGLICHE URSACHE
<b>1. ELEKTRONIK</b>	
1.1 ANLAGE STEHT NICHT UNTER SPANNUNG	Den Eingang der Steuertafel Außenleiter für Außenleiter überprüfen. Schutzvorrichtungen überprüfen.
1.2 IN EINEM AUSSENLEITER GIBT ES KEINE SPANNUNG	Den Eingang der Steuertafel Außenleiter für Außenleiter überprüfen. Kontrollieren, dass sich die Schutzvorrichtungen in gutem Zustand befinden.
1.3 NIEDRIGE SPANNUNG IM	Die Spannung an den Motoranschlüssen darf maximal $\pm 10\%$ der auf dem Typenschild angegebenen Spannung betragen.
1.4 MOTOR FALSCH ANGESCHLOSSEN	Position der Klemmen im Anschlussdiagramm überprüfen.
1.5 KONTROLLFEHLER	Kontrollgerät der Pumpe auf Fehlfunktion überprüfen.
1.6 WIRKEN DES THERMISCHEN SCHUTZES	Auf mechanische Behinderungen oder eine andere Überladung hin überprüfen.
1.7 ISOLIERUNGSFEHLER	Überprüfen, dass die Wicklungen des Motors geerdet sind. Dazu ein Widerstandsmessgerät verwenden.
1.8 OFFENE WICKLUNGEN	Mit einem Widerstandsmessgerät jede Wicklung überprüfen.
1.9 FREQUENZSCHWANKUNG	Frequenz der Netzversorgung überprüfen. Die Schwankung muss weniger als 5% der auf dem Motor angezeigten Frequenz betragen.
1.10 FALSCHES DREHRICHTUNG	Drehrichtung bei dreiphasigen Motoren durch Vertauschen von zwei Versorgungskabeln des Motors ändern.

<b>2.MECHANIK</b>	
<b>2.1 WASSERFLUSS WIRD BEHINDERT</b>	Hindernis lokalisieren und beseitigen. Zur Demontage der Pumpe siehe gleichlautenden Abschnitt in dieser Bedienungsanleitung.
<b>2.2 PUMPE FÜLLT SICH NICHT</b>	Auffüllen erneut versuchen. Saugsystem auf Luftlecks überprüfen.
<b>2.3 INNERE LECKS</b>	Turbine auf Abnutzungen der Wellendichtringe überprüfen. SieheReparaturanleitung.
<b>2.4 FEHLENDE TEILE</b>	Kontrollieren und reparieren.
<b>3.ANLAGE</b>	
<b>3.1 DER FÜR DIE ANLAGE ERFORDERLICHE DRUCK IST HÖHER ALS DER DER PUMPE</b>	Druck und Wassermenge der Pumpe in der Pumpenkurve überprüfen. Sicherstellen, dass das Druckventil komplett geöffnet ist. Die Druckanforderungen der Anlagereduzieren.
<b>3.2 HINDERNIS IN DRUCKÖFFNUNG</b>	Hindernislokalisierenundbeseitigen.
<b>3.3 DER PUMPENDRUCK LIEGT ÜBER DEM ANLAGENDRUCK FÜR DIE FESTGELEGTE WASSERMENGE</b>	Druckleitung auf Hindernisse, Risse, offene Bypassventile usw. überprüfen. Falls notwendig, Druckventilteilweiseschließen, umWassermengezuverringern.
<b>3.4 ANSAUGHÖHELIEGT ÜBER 3 M</b>	Pumpe so nah wie möglich vertikal des Saugraumes montieren.

## 10. TABELLE DER LEITER UND UNTERBRECHER

- Diese Tabelle gilt für Pumpen mit 50 Hz und mit 60 Hz.

MOTORLESTUNG	FREQUENZ	SPANNUNG	EINPHASIG / DREIPHASIG	UNTERBRECHERWERT	KABELDURCHMESSER
2,50 HP	50/60 Hz	230 V	EINPHASIG	10 - 16 A	6 mm <sup>2</sup> - AWG 9
		230 V	DREIPHASIG	6.3 - 10 A	2.5 mm <sup>2</sup> - AWG 13
		400 V		4 - 6.3 A	
3,00 HP	50/60 Hz	230 V	EINPHASIG	10 - 16 A	6 mm <sup>2</sup> - AWG 9
		230 V	DREIPHASIG	6.3 - 10 A	2.5 mm <sup>2</sup> - AWG 13
		400 V		4 - 6.3 A	
3,50 HP	50/60 Hz	230 V	DREIPHASIG	10 - 16 A	4 mm <sup>2</sup> - AWG 11
		400 V		6.3 - 10 A	2.5 mm <sup>2</sup> - AWG 13
4,50 HP	50/60 Hz	230 V	DREIPHASIG	10 - 16 A	4 mm <sup>2</sup> - AWG 11
		400 V		6.3 - 10 A	2.5 mm <sup>2</sup> - AWG 13
5,50 HP	50/60 Hz	230 V	DREIPHASIG	10 - 16 A	6 mm <sup>2</sup> - AWG 9
		400 V		6.3 - 10 A	2.5 mm <sup>2</sup> - AWG 13
		700 V		4 - 6.3 A	

**CARACTERISTICAS Y DIMENSIONES / CHARACTERISTICS AND DIMENSIONS  
CARACTERISTIQUES ET DIMENSIONS / KENNZEICHEN UND MASSEN  
CARATTERISTICHE E DIMENSIONI / ХАРАКТЕРИСТИКИ И ГАБАРИТЫ  
TEKNİK BELİRLEMELER VE ÖLÇÜLER**

**ILUSTRACIONES Y CUADROS ELÉCTRICOS / ILLUSTRATIONS AND ELECTRICAL DIAGRAMS  
ILLUSTRATIONS ET SCHÉMAS ÉLECTRIQUES / ABBILDUNGEN UND ELEKTRISCHE SCHALTPLÄNE  
ILLUSTRAZIONI E SCHEMI ELETTRICI / ИЛЛЮСТРАЦИИ И ЭЛЕКТРИЧЕСКИЕ СХЕМЫ  
ELEKTRİKSEL ÇİZİMLER VE ŞEMALAR**

**EMPLAZAMIENTO / SITE / CHOIX DE L'EMPLACEMENT /  
AUFSTELLUNGSTORT / COLLOCAZIONE / РАЗМЕЩЕНИЕ / YERLEŞTİRME**

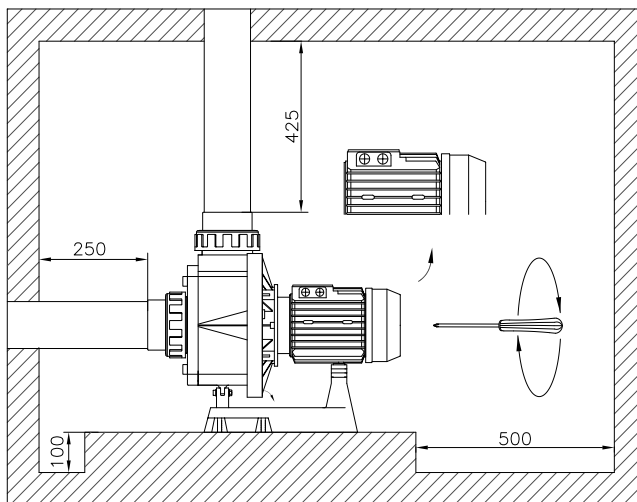


Fig. 1 / Bild 1 / Рис. 1 / Şekil 1

**CONEXIÓN MONOFÁSICA  
SINGLE PHASE CONNECTION  
CONNEXION MONOPHASÉE  
EINPHASIGE SCHALTUNG  
ALLACCIAMENTO MONOFASE  
ОДНОФАЗНОЕ ПОДКЛЮЧЕНИЕ  
MONOFAZİK BAĞLANTI**

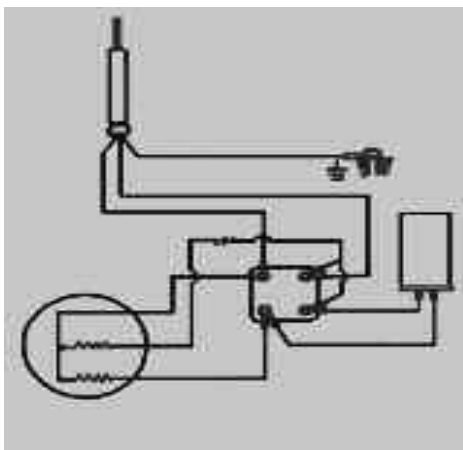


Fig. 2 / Bild 2 / Рис. 2 / Şekil 2

**CONEXIÓN MONOFÁSICA /  
 SINGLE PHASE CONNECTION / CONNEXION MONOPHASÉE /  
 EINPHASIGE SCHALTUNG / ALLACCIAMENTO MONOFASE /  
 ОДНОФАЗНОЕ ПОДКЛЮЧЕНИЕ / MONOFAZİK BAĞLANTI**

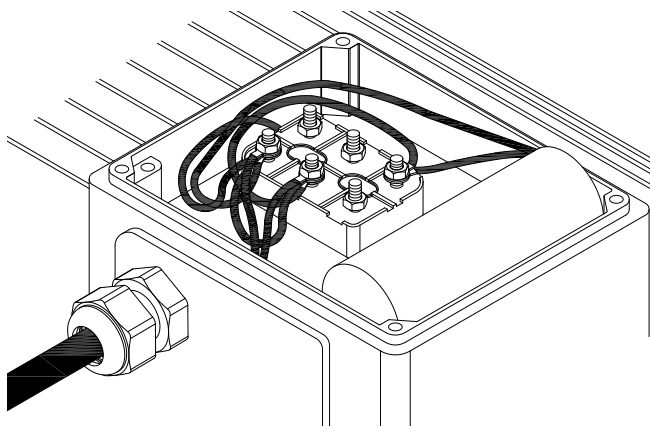
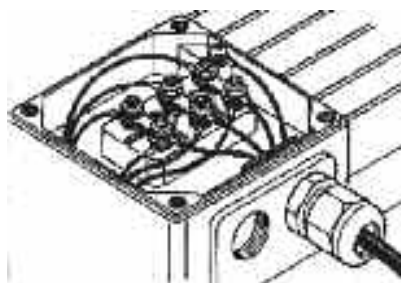
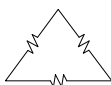
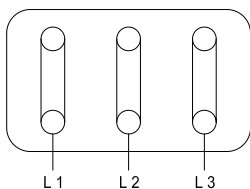


Fig. 3 / Bild 3 / Рис. 3 / Şekil 3

**CONEXIONES TRIFÁSICAS /  
 THREE PHASE CONNECTIONS / CONNEXIONS TRIPHASÉES /  
 DREIPHASIGE SCHALTUNG / ALLACCIAMENTI MONOFASE /  
 ТРЕХФАЗНОЕ ПОДКЛЮЧЕНИЕ / TRIFAZİK BAĞLANTI**

**230/400**

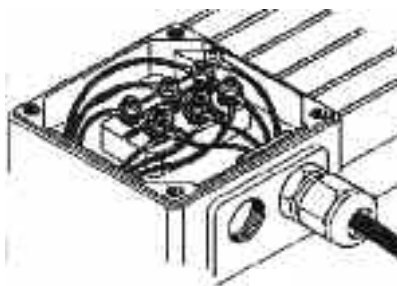
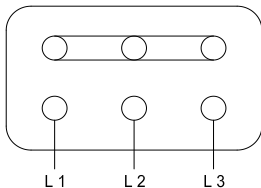
CONEXION 230V /  
 230V CONNECTION / CONNEXION 230V /  
 SCHALTUNG 230V / ALLACCIAMENTO 230V /  
 ПОДКЛЮЧЕНИЕ 230 В / 230V BAĞLANTI



CONEXION TRIÁNGULO /  
 DELTA CONNECTION / MONTAGE EN TRIANGLE /  
 DREIECKSCHALTUNG / ALLACCIAMENTO TRIANGOLO /  
 ПОДКЛЮЧЕНИЕ ТРЕУГОЛЬНИКОМ / ÜÇGEN BAĞLANTI

Fig. 4 / Bild 4 / Рис. 4 / Şekil 4

CONEXION 400V /  
 400V CONNECTION / CONNEXION 400V /  
 SCHALTUNG 400V / ALLACCIAMENTO 400V /  
 ПОДКЛЮЧЕНИЕ 400 В / 400V BAĞLANTI

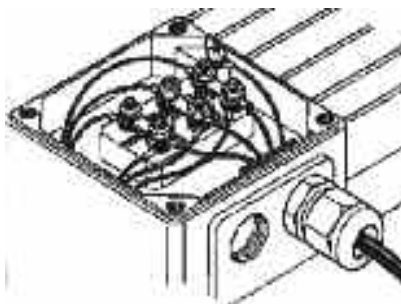
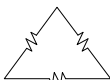
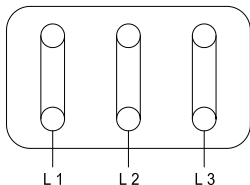


CONEXION ESTRELLA /  
 STAR CONNECTION / MONTAGE E ÉTOILE /  
 STERNSCHALTUNG / ALLACCIAMENTO STELLA /  
 ПОДКЛЮЧЕНИЕ ЗВЕЗДОЙ / YILDIZ BAĞLANTI

**CONEXIONES TRIFÁSICAS /  
 THREE PHASE CONNECTIONS / CONNEXIONS TRIPHASÉES /  
 DREIPHASIGE SCHALTUNG / ALLACCIAMENTI MONOFASE /  
 ТРЕХФАЗНОЕ ПОДКЛЮЧЕНИЕ / TRIFAZİK BAĞLANTI**

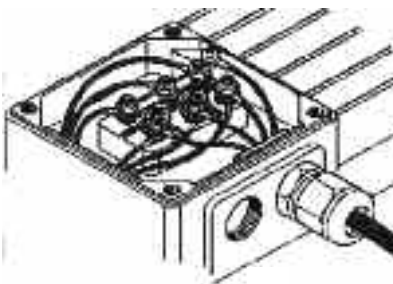
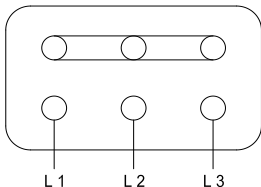
**400/700**

CONEXION 400V /  
 400V CONNECTION / CONNEXION 400V /  
 SCHALTUNG 400V / ALLACCIAMENTO 400V /  
 ПОДКЛЮЧЕНИЕ 400 В / 400V BAĞLANTI



CONEXION TRIÁNGULO /  
 DELTA CONNECTION / MONTAGE EN TRIANGLE /  
 DREIECKSCHALTUNG / ALLACCIAMENTO TRIANGOLO /  
 ПОДКЛЮЧЕНИЕ ТРЕУГОЛЬНИКОМ / ÜÇGEN BAĞLANTI

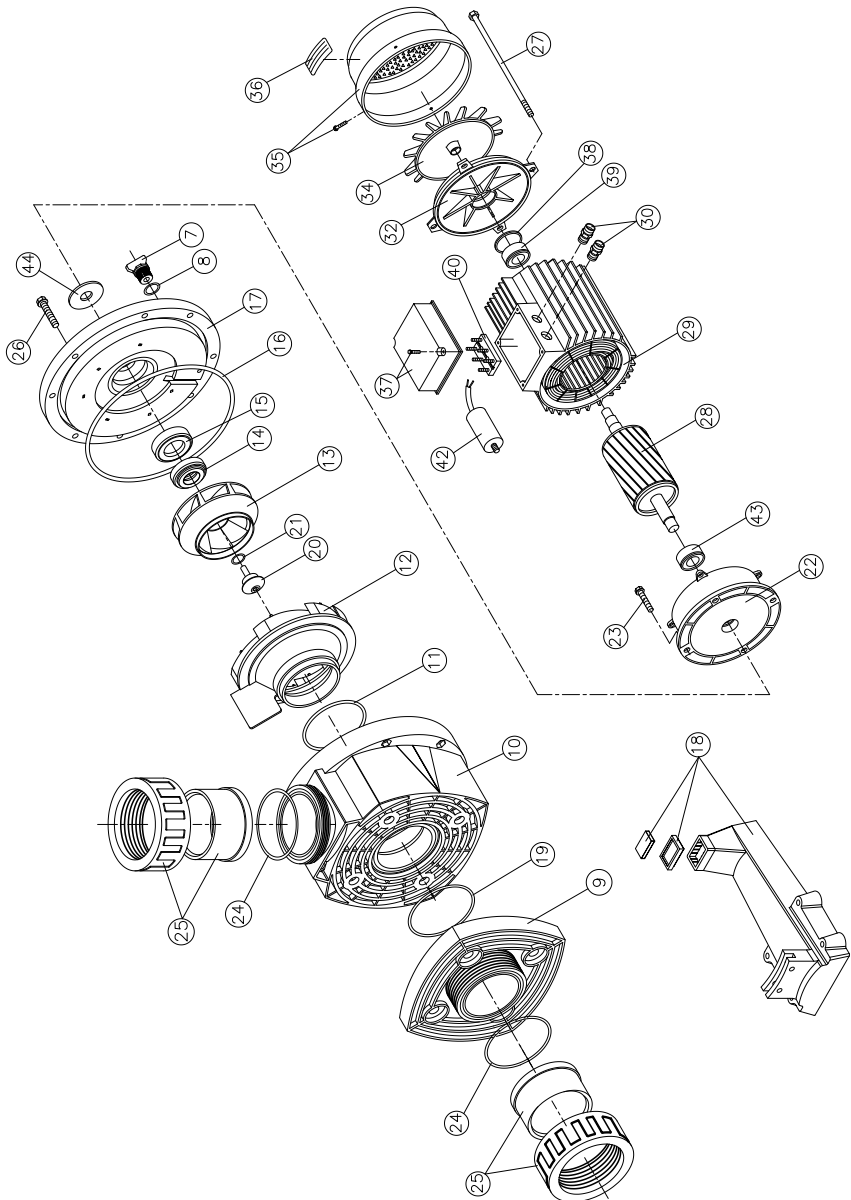
CONEXION 700V /  
 700V CONNECTION / CONNEXION 700V /  
 SCHALTUNG 700V / ALLACCIAMENTO 700V /  
 ПОДКЛЮЧЕНИЕ 700 В / 700V BAĞLANTI



CONEXION ESTRELLA /  
 STAR CONNECTION / MONTAGE E ÉTOILE /  
 STERNSCHALTUNG / ALLACCIAMENTO STELLA /  
 ПОДКЛЮЧЕНИЕ ЗВЕЗДОЙ / YILDIZ BAĞLANTI

Fig. 5 / Bild 5 / Рис. 5 / Şekil 5

**PLANO DE DESPIECE /  
DETAIL DRAWING / PLAN DE DEMONTAGE /  
EXPLOSIONZEICHNUNG / DISEGNO ESPLOSO /  
ДЕТАЛЬНЫЙ ЧЕРТЁЖ / PARÇALARA AYIRMA PLANI**



POS	DENOMINACION	DESIGNATION	DESIGNATION	BEZEICHNUNG	DENOMINAZIONE	НАИМЕНОВАНИЕ	ISIM	С/ТД
7	Tapón vaciado	Drain plug	Bouchon vidiange	Abblschraube	Tappo svuotamento	Пробка сливного отверстия	Bogatin tapasi	1
8	Junta tapon	O-ring	Joint	Stöpsel O-ring	Guarnizione o-ring tappo	Прокладка пробок	Tira contasi	1
9	Brida aspiración	Flange	Bride	Flansch	Flangia	Фланец	Flang	1
10	Cuerpo bomba	Pump casing	Corps de pompe	Pumpengehäuse	Corpo pompa	Корпус насоса	Pompa govdesi	1
11	Junta difusor	Diffuser gasket	Joint diffuseur	Dichtung	Guarnizione diffusore	Прокладка диффузора	Difuzor contasi	1
12	Difusor	Diffuser	Diffuseur	Leitapparat	Diffusore	Диффузор	Difuzor	1
13	Turbina	Impeller	Turbine	Laufrad	Girante	Импеллер	Tubin	1
14	Reñón	Mechanical seal	Garniture Mécanique	Wellendichtung	Tenuta meccanica rotante	Статор	Muhur	1
15	Contra retén	Seal seat	Siège de garniture mécanique	Wellenring	Tenuta meccanica fissa	Плоско статора	Muhur contasi	1
16	Junta cuerpo de unión	Flange O-ring	Joint bride de raccordement	Flansch O-ring	Guarnizione o-ring flangia	Прокладка фланца	Vitesin govdesi contasi	1
17	Cuerpo unión	Flange	Bride de raccordement	Flansch	Flangia	Фланец	Vitesin govdesi	1
18	Soporte	Motor-pump support	Soche	Socketteil	Base appoggio pompa	Опора	Destak	1
19	Junta cuerpo bomba	Pump body gasket	Joint thorique corps de pompe	Pumpengehäuse O-ring	Guarnizione brida	Соедет герметическое	Kuluu pompa govdesi	1
20	Junta turbina	Impeller nut	Bouchon turbine	Laufradstoppel	Tappo girante	Вспягание турбины	Tak turbini	1
21	Junta tapón turbina	Impeller nut O-ring	Joint thorique bouchon turbine	Laufradstoppel O-ring	Guarnizione tappo girante	Крышка уплотнения турбины	Karak contasi turbini	1
22	Tapón motor labio accionamiento	Motor cover-Pump side	Couvercle du moteur-Côte commande	Motorhafterung	Capotta motore - lato pompa	Крышка двигателя со стороны насоса	Mobun surucu lar kapagi	1
23	Tomillo tapa motor	Screw	Vis de couvercle du moteur	Sechskantschraube	Vite calotta motore	Болт крышки двигателя	Mobur kapagi vidasi	4
24	Junta raccord entace	Union set O-ring	Joint ensemble raccord	Gesamtschluß O-ring	O-ring insieme collegamento	Прокладка-кольцо муфты насоса	Rakor conta bagiantisi	2
25	Conjunto raccord entace	Union set	Eresemble raccord	Gesamtschluß	Insieme collegamento	Муфта насоса	Rakor takem bagiantisi	2
26	Tomillo cuerpo de unión	Screw	Vis bride de raccordement	Sechskantschraube	Vite flangia	Фланцевый болт	Vitesin govdesi vidasi	4
27	Tirante cierre motor	Tie rod	Tirant de fermeture du moteur	Zugstange	Tirante chiusura motore	Стержень затвора двигателя	Mobur kapama kordonu	4
28	Rotor	Rotor shaft	Rotor	Läuwellen	Robore	Ротор	Rotor	1
29	Estator	Casing with stator	Carcasse avec le stator	Statorgehäuse	Statore	Статор	Sator	1
30	Prensastapas	Staffing piece	Pressée-étoupe	Stöpselbuchse	Passacavo	Сальник	Salmestra	2
31	Tapón motor labio ventilador	Motor cover-Fan side	Couvercle du moteur-Côte ventilateur	Motorabdeckung Ventilator	Capotta motore - lato ventola	Крышка двигателя со стороны вентилятора	Mobun havalandirma taraf kapagi	1
32	Ventilador	Fan	Ventilateur		Ventola	Вентилятор	Fan (havalandirma)	1
33	Fan ventilador	Fan cover	Couvercle ventilateur	Ventilatorabdeckung	Copribombola	Крышка вентилятора	Fan kapagi	1
34	Placa de características	Characteristics card	Plaque de caractéristiques	Motorzeichenschild	Targhetta caratteristiche	Табличка параметров	Ozalkiler plakasi	1
35	Tapá caja conexiones	Board cover	Couvercle des connexions	Anschlußkastenbeckel	Coperchio morsettiere	Крышка распределительной коробки	Baginti kutusu kapagi	1
36	Arandela labio ventilador	Washer-Fan side	Rondelle-côte ventilateur	Unterlagsscheibe - ventilatorseitig	Rondella - lato ventola	Шайба со стороны вентилятора	Havalandirma tarafi ponaklasi	1
37	Rodamiento labio ventilador	Bearing-Fan side	Roulement-Côte ventilateur	Lager - ventilatorseitig	Cuscinetto a sfere - lato ventola	Подшипник со стороны вентилятора	Havalandirma tarafi nuhanisi	1
38	Regleta conexiones	Board	Règlette de connexions	Anschlußklemmleiste	Morsettiere	Контактная панель	Baginti terminali	1
39	Condensador	Capacitor	Condensateur	Kondensator	Condensatore	Конденсатор	Kondensator	1
40	Rodamiento labio accionamiento	Bearing-Pump side	Roulement-Côte commande	Lager-antriebsseitig	Cuscinetto a sfere - lato pompa	Подшипник со стороны насоса	Stucu lar taraf nuhanisi	1
41	Paragotero	Drops guard	Paragouttes	Tropfenhalter	Paragocce	Защита от протекания	Damlak	1

# CARACTERISTICAS Y DIMENSIONES / CHARACTERISTICS AND DIMENSIONS / CARACTERISTICHES ET DIMENSIONS / KENNZEICHEN UND MASSEN / CARATTERISTICHE E DIMENSIONI / ХАРАКТЕРИСТИКИ И ГАБАРИТЫ / TEKNİK BELİRLEMELER VE ÖLÇÜLER

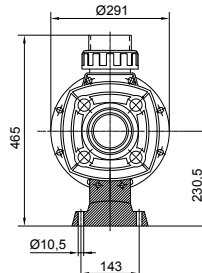
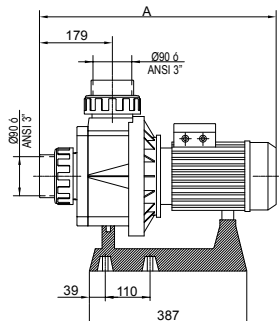
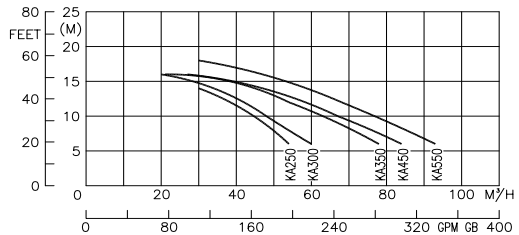
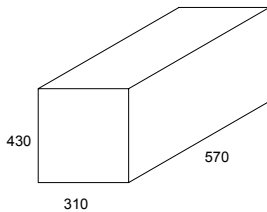
TIPO TYPE ТИП	HP P2	KW P1	dB (*)	Altura en m. / Head in m. / Haut en m. / Höhe in m. / Altezza in m. / Высота в м. / Mby							
				6	8	10	12	14	16	18	20
				Caudal / Capacity / Debit / Leistung / Capacità / Поток / Debi (m³ / h - ч)							
KA 250B KA 256B	2,50	2,30	65,2	54	50	44	39	30	--	--	--
KA 300B KA 306B	3,00	2,76	65,8	60	54	48	42	37	20	--	--
KA 350B KA 356B	3,50	3,70	68,4	78	71	63	54	45	21	--	--
KA 450B KA 456B	4,50	4,30	72,3	84	76	67	58	47	27	--	--
KA 550B KA 556B	5,50	4,71	75,4	93	85	78	68	59	47	30	--

(\*) : dB=10 m.c.a/hauteur/höhe

TIPO TYPE ТИП TIP	HP P2	KW P1	Hz	MONOF. Single-phase Однофазный			TRIF. Three-phase Трёхфазный	
				V	A	COND.	V	A
				KA 250B KA 256B	2,50	2,30	50 60	230
KA 300B KA 306B	3,00	2,76	50 60	230	14,5	36	230/400	8,8-5,1
KA 350B KA 356B	3,50	3,70	50 60	--	--	--	230/400	10,4-6,0
KA 450B KA 456B	4,50	4,30	50 60	--	--	--	230/400	11,7-6,75
KA 550B KA 556B	5,50	4,71	50 60	--	--	--	230/400/700	14,6-8,5-5,0

TIPO TYPE ТИП TIP	A (mm)	PESO / WEIGHT BEC / AĞIRLIK (Kg / кг)	
		MONOF. Однофаз	TRIF. Трёхфаз
		KA 250B KA 256B	581
KA 300B KA 306B	581	26,8	21,5
KA 350B KA 356B	581	-	26,8
KA 450B KA 456B	581	-	26,8
KA 550B KA 556B	595	-	31,8

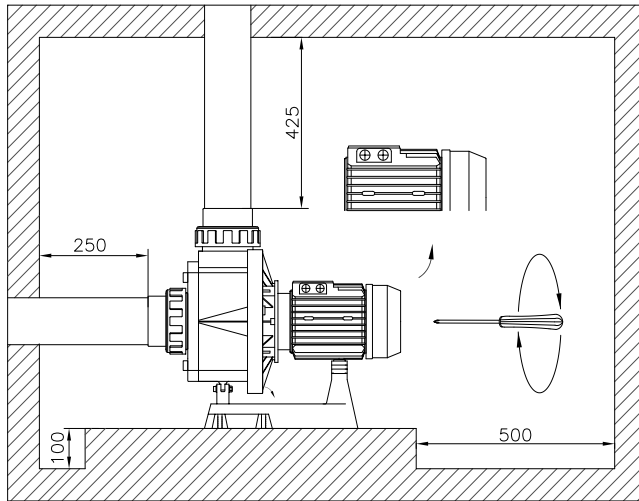
P1: Potencia absorbida / Power input / Puissance absorbée / Leistungsaufnahme / Potenza assorbita / Потребляемая мощность / Gücü absorbe  
P2: Potencia nominal / Power output / Puissance du moteur / Wirkleistung / Potenza nominale / Мощность / Nominal güç



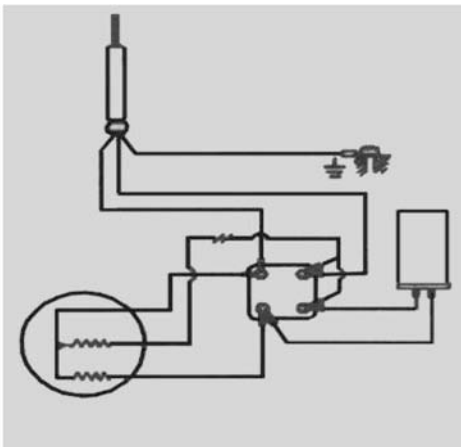


الخصائص والأبعاد / CHARACTERISTICS AND DIMENSIONS

الموقع / SITE



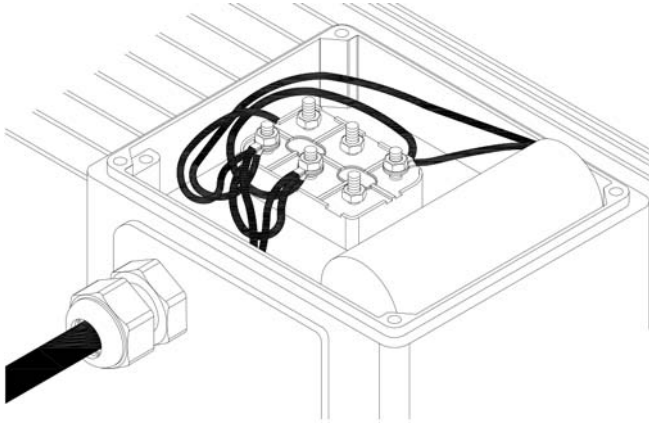
الشكل 1 / 1 Fig. 1



توصيل أحادي المرحلة /  
SINGLE PHASE CONNECTION

الشكل 2 / 2 Fig. 2

SINGLE PHASE CONNECTION / توصيل أحادي المرحلة

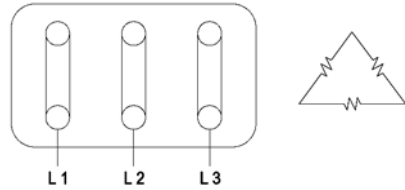
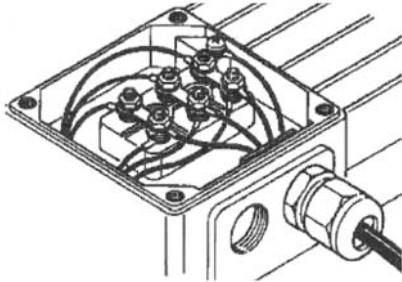


الشكل 3 / 3 Fig. 3

220/380  
230/400

THREE PHASE CONNECTIONS / التوصيلات ثلاثية المراحل

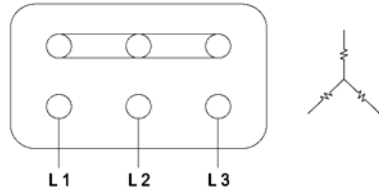
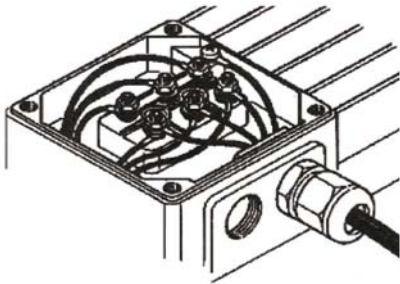
220V CONNECTION 60Hz / توصيل 220 فولط / 60 هرتز  
230V CONNECTION 50Hz / توصيل 230 فولط / 50 هرتز



DELTA CONNECTION / توصيل مثلثي

الشكل 4 / 4 Fig. 4

380 V CONNECTION 60Hz / هرتز 60 توصيل 380 فولط /  
 400 V CONNECTION 50Hz / هرتز 50 توصيل 400 فولط

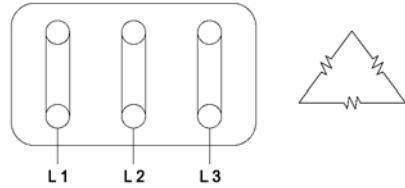
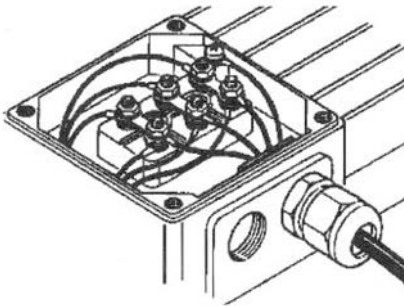


STAR CONNECTION / توصيل نجمي

380/700  
 400/700

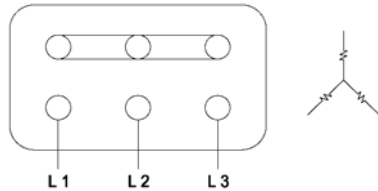
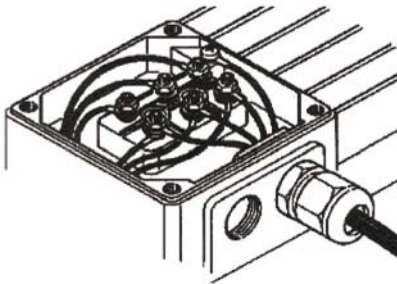
THREE PHASE CONNECTIONS / التوصيلات ثلاثية المراحل

380 V CONNECTION 60Hz / هرتز 60 توصيل 380 فولط /  
 400 V CONNECTION 50Hz / هرتز 50 توصيل 400 فولط



DELTA CONNECTION / توصيل مثلثي

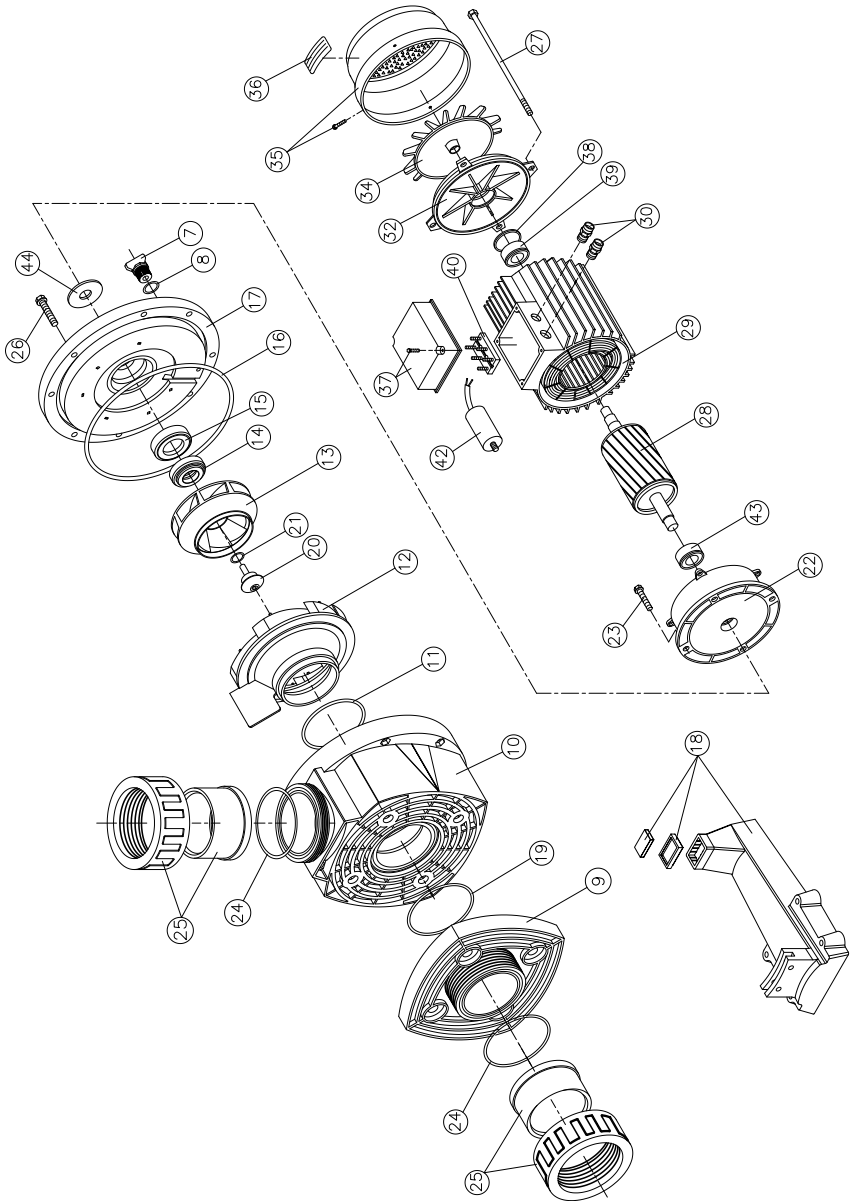
700V CONNECTION / توصيل 700 فولط



STAR CONNECTION / توصيل نجمي

الشكل 5 / 5 Fig. 5

DETAIL DRAWING / رسم تفصيلي



POS	Designation	CTD.
7	Drain plug	1
8	O-ring	1
9	Pre-filter	1
10	Pump casing	1
11	Diffuser gasket	1
12	Diffuser	1
13	Impeller	1
14	Mechanical seal	1
15	Seal seat	1
16	Flange O-ring	1
17	Flange	1
18	Motor-pump support	1
19	Pump body gasket	1
20	Impeller nut	1
21	Impeller nut O-ring	1
22	Motor cover-Pump side	1
23	Screw	4
24	Union set O-ring	2
25	Union set	2
26	Screw	4
27	Tie rod	4
28	Rotor shaft	1
29	Casing with stator	1
30	Staffing piece	2
32	Motor cover-Fan side	1
34	Fan	1
35	Fan cover	1
36	Characteristics card	1
37	Board cover	1
38	Washer-Fan side	1
39	Bearing-Fan side	1
40	Board	1
42	Capacitor	1
43	Bearing-Pump side	1
44	Drops guard	1

الترتيب	التسمية	العدد
7	سدادة التصريف	1
8	الحلقة الدائرية	1
9	المرشح الأولي	1
10	غلاف المضخة	1
11	حشية الناشرة	1
12	الناشرة	1
13	الدّفاع	1
14	مانع التسرب الميكانيكي	1
15	قاعدة مانع التسرب	1
16	الحلقة الدائرية للشفة	1
17	الشفة	1
18	دعم مضخة الموتور	1
19	حشية جسم المضخة	1
20	صامولة الدّفاع	1
21	الحلقة الدائرية لصامولة الدّفاع	1
22	غطاء الموتور-ناحية المضخة	1
23	برغي	4
24	الحلقة الدائرية لمجموعة التوصيل	2
25	مجموعة التوصيل	2
26	برغي	4
27	قضيب الربط	4
28	عمود الدوار	1
29	الغلاف ذو العضو الساكن	1
30	قطعة العارضة	2
32	غطاء الموتور - ناحية المروحة	1
34	المروحة	1
35	غطاء المروحة	1
36	بطاقة الخصائص	1
37	غطاء اللوح	1
38	الفلانة - ناحية مروحة	1
39	المحمل - ناحية مروحة	1
40	اللوح	1
42	مكثف	1
43	المحمل - ناحية المضخة	1
44	واقى السقوط	1

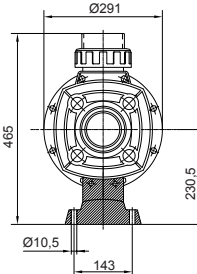
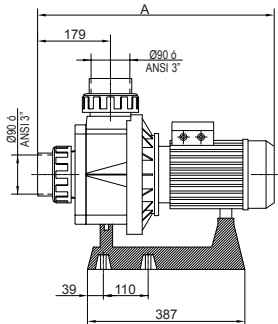
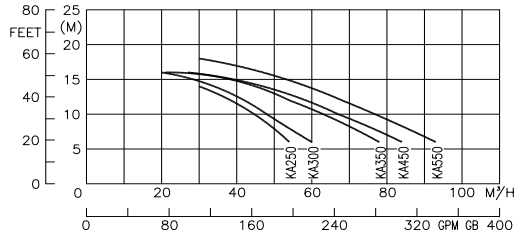
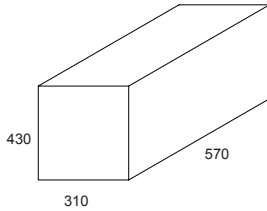
## CHARACTERISTICS AND DIMENSIONS / الخصائص والأبعاد

Head in m. / العلو بالمتر								ديسيبل / dB (*)	كيلواط / KW P1	حصان / HP P2	النوع / TYPE
20	18	16	14	12	10	8	6				
Capacity (m <sup>3</sup> /h) / السعة (م <sup>3</sup> /ساعة)											
-	-	-	30	39	44	50	54	65,2	2,30	2,50	KA 250B KA 256B
-	-	20	37	42	48	54	60	65,8	2,76	3,00	KA 300B KA 306B
-	-	21	45	54	63	71	78	68,4	3,70	3,50	KA 350B KA 356B
-	-	27	47	58	67	76	84	72,3	4,30	4,50	KA 450B KA 456B
-	30	47	59	68	78	85	93	75,4	4,71	5,50	KA 550B KA 556B

(\*) : ديسيبل=10 الحرارة / db=10 heat :

الوزن (كجم) / WEIGHT (Kg)		A / (مم) (mm)	النوع / TYPE	ثلاثي المراحل / Three-phase		أحادي المرحلة / Single-phase			هرتز / Hz	كيلواط / KW P1	حصان / HP P2	النوع / TYPE
ثلاثي / Three	أحادي / Single			A / أمبير	V / فولت	الموصل / COND.	A / أمبير	V / فولت				
20,8	24,8	581	KA 250B KA 256B	8,3-4,8	$\frac{230/400}{220/380}$	30	12,4	$\frac{230}{220}$	50 60	2,30	2,50	KA 250B KA 256B
21,5	26,8	581	KA 300B KA 306B	8,8-5,1	$\frac{230/400}{220/380}$	36	14,5	$\frac{230}{220}$	50 60	2,76	3,00	KA 300B KA 306B
26,8	-	581	KA 350B KA 356B	10,4-6,0	$\frac{230/400}{220/380}$	--	--	--	50 60	3,70	3,50	KA 350B KA 356B
26,8	-	581	KA 450B KA 456B	11,7-6,75	$\frac{230/400}{220/380}$	--	--	--	50 60	4,30	4,50	KA 450B KA 456B
31,8	-	595	KA 550B KA 556B	14,6-8,5-5,0	$\frac{230/400/700}{220/380/700}$	--	--	--	50 60	4,71	5,50	KA 550B KA 556B

P1: Power input / دخل الطاقة /  
P2: Power output / خرج الطاقة /



## NOTES

## NOTES



**Declaración de conformidad**

**GRUPO KRIPSOL**, declara bajo su responsabilidad que sus productos **KA** cumplen con la Directiva CE 2006/42, 20004/108, 2006/95 y siguientes modificaciones

**Declaration of conformity**

We, **GRUPO KRIPSOL**, declare under our own responsibility that our products **KA** comply with the Directive 2006/42, 20004/108, 2006/95 and following modifications

**Déclaration de conformité**

**GRUPO KRIPSOL**, déclare sous sa responsabilité que les produits **KA** sont conformes à la Directive 2006/42, 20004/108, 2006/95 et modifications suivantes

**Konformitätserklärung**

Die Firma **GRUPO KRIPSOL**, erklärt unter ihrer vollen Verantwortlichkeit, daß die Produkte **KA** den Richtlinien 2006/42, 20004/108, 2006/95, und späteren Änderungen, entsprechen

**Dichiarazione di conformità**

Noi, **GRUPO KRIPSOL**, dichiariamo sotto la Ns. sola responsabilità che nostri prodotti **KA** sono in conformità alla direttiva 2006/42, 20004/108, 2006/95 e successive modifiche

**Декларация соответствия**

Компания **GRUPO KRIPSOL**, заявляет под свою ответственность, что её продукты линии **KA** отвечают требованиям Директивы Совета ЕС 2006/42, 20004/108, 2006/95 и её последующим модификациям

**Uygunluk Beyanı**

**GRUPO KRIPSOL** kendi sorumluluğu altında, **KA** ürünlerinin CE 2006/42/CE, 2004/108/CE ve 2006/95/CE Direktiflerine ve aşağıdaki modifikasyonlara uygun olduğunu beyan eder.

**إقرار المطابقة**

نحن، **GRUPO KRIPSOL**، نقر تحت مسؤوليتنا الخاصة أن منتجاتنا **KA** تتوافق مع التوجيهات 2006/42، 20004/108، و 2006/95 والتعديلات اللاحقة

PRODUCTO  
PRODUCT  
PRODUIT  
PRODUKT  
PRODOTTO  
ПРОДУКТ  
ÜRÜN  
المنتج



Miguel García  
Director Gerente  
مدير إداري

Ugena, 16 abril de 2013



Pol.Ind. La Frontera C/ Dos, 91  
Phone: +34 925 53 30 25  
Fax: +34 925 53 32 42  
45217 - Ugena (Toledo)  
ESPAÑA

**kripsol.com**  
e-mail: [servicio.comercial@kripsol.com](mailto:servicio.comercial@kripsol.com)  
e-mail: [export@kripsol.com](mailto:export@kripsol.com)