

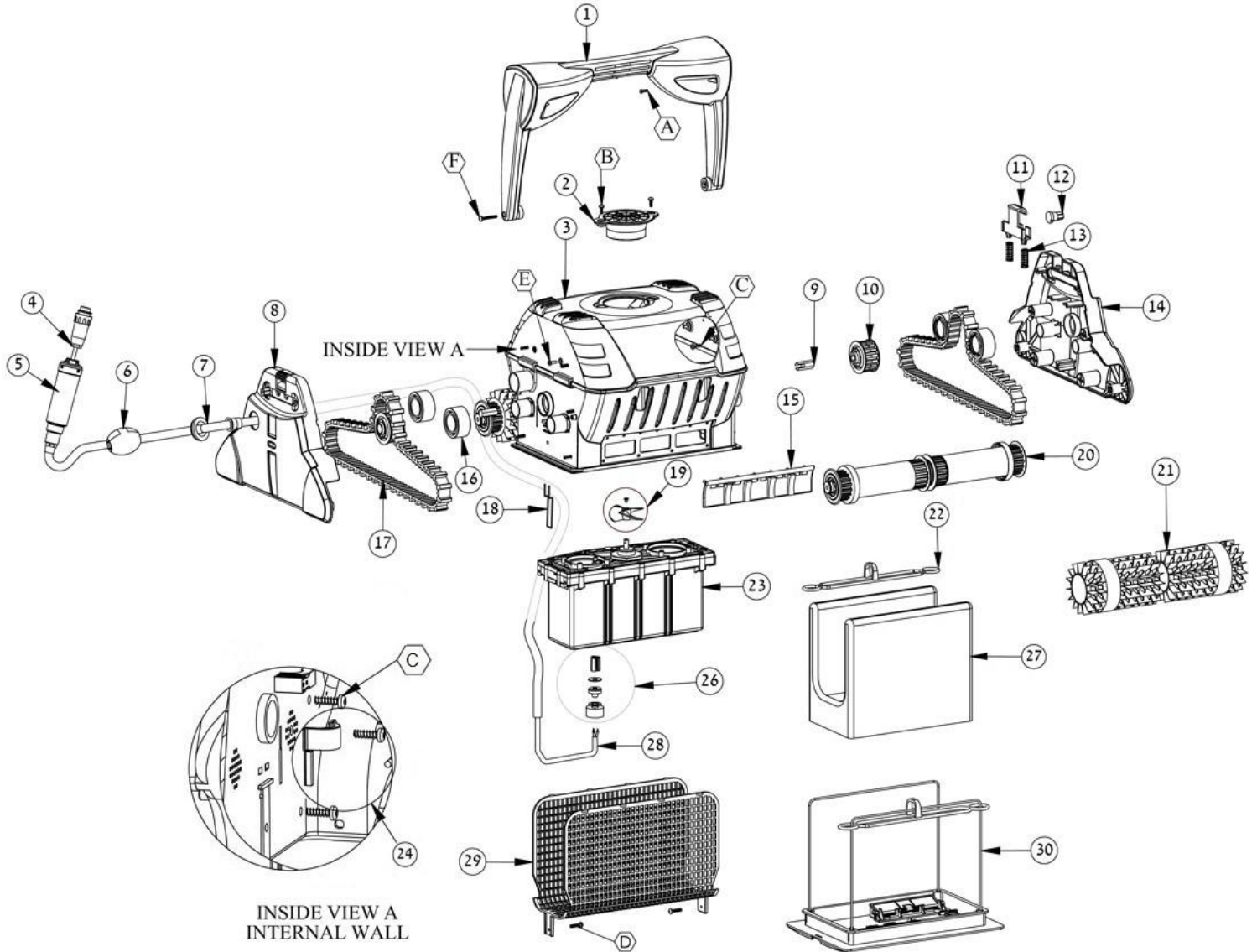
**DOLPHIN WAVE 50 CB**

Item #	Item Number	Description
<b>001</b>	<b>Kit Options</b>	
. 001(01)	9995670-ASSY	POWER SUPPLY DIAGNOSTIC
. 001(02)	9996098-ASSY	CADDY 2011
01	9995721	HANDLE ASSY WAVE 100
02	9981044	IMPELLER COVER -DOL.2-BLACK
03	99951716	OUTER CASING WAVE 50
04	5000009	AMPHENOL PLUG
<b>05</b>	<b>Kit Options</b>	
. 05(01)	9995756LF-ASSY	CABLE: SWIVEL ASSY DIAG 24M'
. 05(02)	9995793-ASSY	CABLE SWV DIAG 1.2M'
. 05(03)	9995820	SWIVEL DIAG 1.2M ASSY-KIT OF 5
06	9995090	CABLE FLOAT ASSY
07	3865006	GROMMET 500
08	9995035	SIDE PANEL+GROMMET DOL2 ORANGE
09	3865005	HEXAGON ADAPTOR FOR D TYPE SHAFT
10	3883645	PULLEY FOR FLAT SHAFT - TT
11	9985057	HANDLE LATCH BLACK
12	9985065	HANDLE ARM SLIDE
13	3917031	HANDLE CLIP SPRING
14	9981023	SIDE PANEL DOL 2 ORANGE
15	9985280	NON RETURN FLAP DIAG-GREY
16	3884997	GUIDE WHEEL
17	9985006	TRACK - TIMING TRACK GREY
18	3965030	WIRE CLIP
19	9995269	IMPELLER+SCREW DC
<b>20</b>	<b>99955958-ASSY</b>	<b>WHEEL ASSY FOR DYN-DOUBLE BEARIN</b>
. 20(1)	3884073-ASSY	DIAG. BASIC -WHEEL BEARING
. 20(2)	3885000	DIAG.BASIC STOPPER RING
. 20(3)	6101912	PVC TUBE FOR DYN.TT WHEEL ASSY
. 20(4)	3884078	WHEEL DOUBLE BEARING DYN TT
<b>21</b>	<b>Kit Options</b>	
. 21(01)	6101635	BRUSH PVC DYN GREY
. 21(02)	6101656	BRUSH PVC DYN GREY CB
. 21(03)	6101611	BRUSH WB RING FOR CB
. 21(04)	9995560-ASSY	BRUSH WB - DYN - PAIR
22	9981430	FILTER BAG CLIP
<b>23</b>	<b>Kit Options</b>	
. 23(01)	9995375-ASSY	MU DYN DC 4H WAVE 50 NEW
. 23(02)	9995375-EX	MU DYN DC 4H WAVE 50 EX
24	9991069-ASSY	CABLE HOLDER KIT
<b>26</b>	<b>9991279</b>	<b>RETROFIT FOR CABLE CONN.-3 PIN</b>
. 26(01)	9985048	CABLE CONN.THREE PIN
. 26(02)	1811404	CABLE CONNECTOR
. 26(03)	9985027	PLASTIC WASHER 7MM X 2MM
. 26(04)	3861002	RK RING FOR CABLE CONN.
. 26(05)	9980025	WASHER-INSIDE DIA. 13MM

DOLPHIN WAVE 50 CB

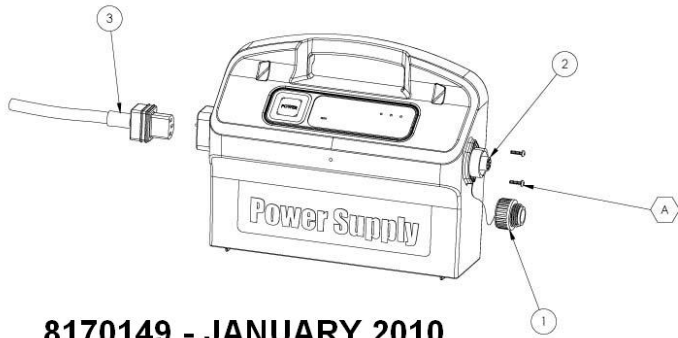
Item #	Item Number	Description
. 26(06)	9980041	SCREW - BOLT MU CABLE CONNECTOR
<b>27</b>	<b>Kit Options</b>	
. 27(02)	9995431-ASSY	FILTER BAG COARSE - ASSY DIG DYN
. 27(03)	9995430-ASSY	FILTER BAG ASSY FOR DIAG AND DYN
. 27(04)	9991440-ASSY	FILTER BAG DISP KIT OF 5 DIG DYN
. 27(05)	99954304-ASSY	FILTER BAG FOR TS FOR DIAG DYN
. 27(06)	99954308-ASSY	FILTER BAG DOLPHIN 70M'
29	6203703	FILTER SCREEN
<b>30</b>	<b>9995550</b>	<b>BOTTOM LID ASSY + SUPPORT 2005</b>
. 30(01)	9985442	BASE FOR NON RETURN FLAP NEW BL
. 30(02)	3917014	BOTTOM LID SPRING
. 30(03)	3966012	FILTER BAG SUPPORT
. 30(04)	9985460	LOCK FOR FILTER BAG SUPPORT
. 30(05)	9985441	NON RETURN FLAP FOR NEW BL
. 30(06)	9985444	BOTTOM LID NEW
. 30(07)	9985445	BRACKET FOR BOTTOM LID
. 30(08)	9985443	SPRING FOR NEW BOTTOM LID
. 30(09)	9981242	WASHER FOR SPRING NEW BL
. 30(A)	3303008-A	SCREW KA30X8 WN1412 A2
A	3379450-A	SCREW KA40X12 WN1412 A2
B	3379440-A	SCREW KA50X12 A2 WN1412
C	3379616-A	SCREW KA50X16
D	3379720-A	SCREW KA50X20 WN1412
E	3154414-A	SCREW M4X14 - 7985
F	3305030-A	SCREW KA50X30

DOLPHIN WAVE 50 CB



**DOLPHIN WAVE 50 CB**

**#01 (power supply diagnostic)**



8170149 - JANUARY 2010

**#02 (caddy 2011)**

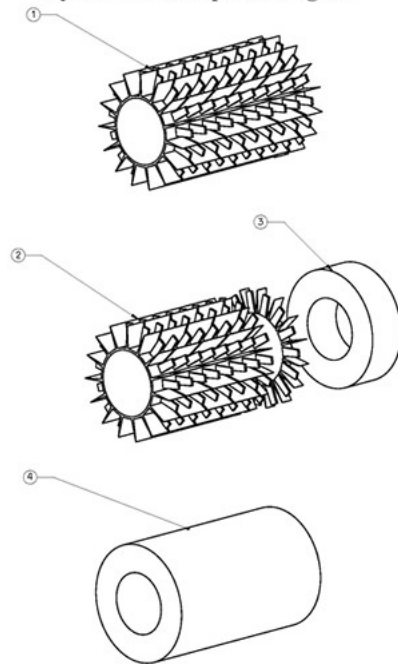


**#20 (wheel assy for dyn-double bearin)**



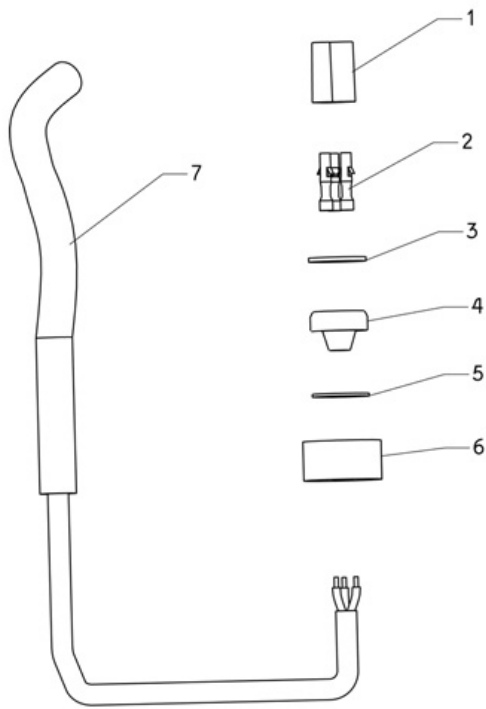
**#21 (brushes- dyn grey -catalog kit)**

Dynamic brush options diagram



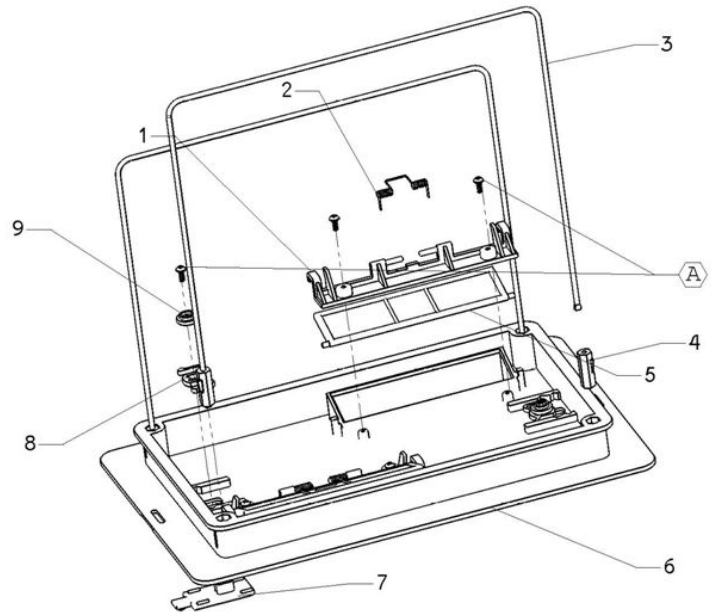
DOLPHIN WAVE 50 CB

#26 (retrofit for cable conn.-3 pin)



September 2004 - 8170051

#30 (bottom lid assy + support 2005)



MAY-2005 VER.2 8170050