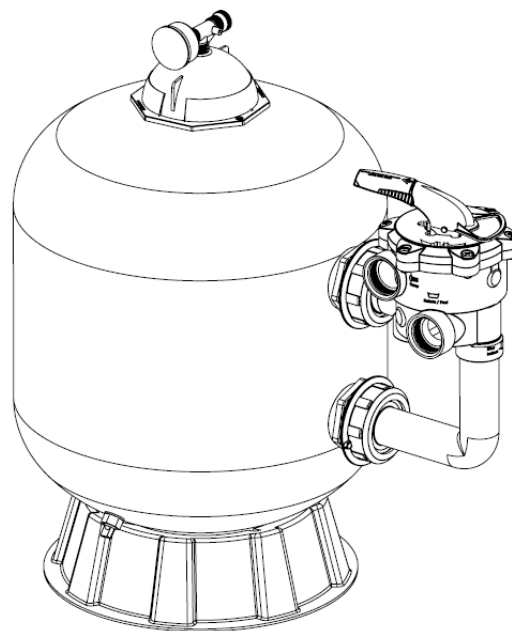
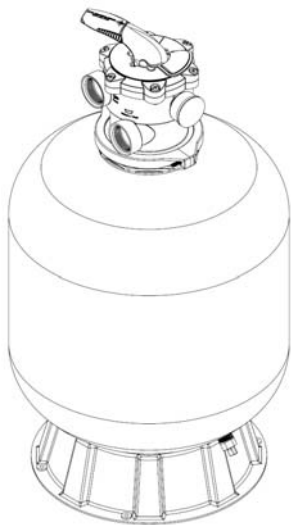


Sandfilters

**Triton® ,
Tagelus® ,**

Triton® II and Tagelus® II with ClearPro Technology®



**IMPORTANT SAFETY INSTRUCTIONS
READ AND FOLLOW ALL INSTRUCTIONS
SAVE THESE INSTRUCTIONS**

Pentair Water Belgium bvba
Industriepark Wolfstee
Toekomstlaan 30
B-2200 Herentals – Belgium
+32 (0) 14.25.99.11
www.pentairpooleurope.com

ENGLISH 3

DEUTSCH 6

NEDERLANDS 9

FRANÇAIS 12

ESPAÑOL 15

ITALIANO 18

Customer Support

HERENTALS, BELGIUM (8:30 A.M. to 4:30 P.M.) CET
 Phone: + 32 (0) 14 25 99 11
 Website: www.pentairpooleurope.com

Declaration of Conformity

We declare, under our sole responsibility, that the product identified in this declaration, and to which this declaration relates, are in conformity with the protection requirements of Council Directive 98/37/EEG.



The manufacturer, Pentair Water Belgium N.V., has the right to modify the products without previous notice for as far as their characteristics are not really changed by this.

© 2009 Pentair Water Pool and Spa, Inc. all rights reserved. This document is subject to change without notice

Trademarks and disclaimers: Triton[®], Tagelus[®], ClearPro Technology[®] and Pentair Pool Products[®] are trademarks and/or registered trademarks of Pentair Water Pool and Spa, Inc. and/or its affiliated companies. Unless noted, names and brands of others that may be used in this document are not used to indicate an affiliation or endorsement between the proprietors of these names and brands and Pentair Water Pool and Spa, Inc. Those names and brands may be the trademarks of those parties or others.

IMPORTANT SAFETY PRECAUTIONS

THESE OPERATING INSTRUCTIONS CONTAIN IMPORTANT INFORMATION ON THE SAFE, PROPER AND ECONOMICAL OPERATION OF THE SWIMMING POOL FILTERS. STRICT OBSERVATION OF THE OPERATING INSTRUCTIONS WILL HELP TO AVOID DANGERS, REDUCE REPAIR COSTS AND SHUTDOWN TIMES AND INCREASE THE RELIABILITY AND WORKING LIFE OF THE PRODUCT.

Section 1

General information

Check carton for any evidence of damage due to rough handling in shipment. If carton or any filter components are damaged, notify the carrier immediately.



This manual contains critical safety information that must be provided to the end user. Failure to read and to follow instructions could result in serious personal injury and/or major property damage.

- This filter operates under pressure and if assembled improperly or operated with air in the water circulation system, the top cap (Triton[®]) or top valve (Tagelus[®]) can separate, blowing off, which may result in an accident causing property damage or serious bodily injury.
- Keep safety labels in good condition and replace if missing or illegible.
- Failure to operate your filter system or inadequate filtration can cause poor visibility in your pool. This can result in serious personal injury or drowning as a consequence of diving into turbid water or on top of obscured objects
- Please note that a filter removes organic matter and does not sanitize the pool. The pool water must be sanitized and the water must be balanced for sparkling clear water.
- Filters should never be tested or subjected to air or gas under pressure. All gases are compressible and constitute a serious hazard when under pressure. Severe injury or property damage could occur if the filter is subjected to air or gas pressure.
- Operating at excessive vacuum levels can cause the vessel to crack and could cause property damage.
- To prevent damage to the equipment and possible injury, always turn the pump off before changing the valve position.
- Always visually inspect the filter components during normal servicing to ensure structural safety. Replace any item that is cracked, deformed or otherwise visually defective. Defective filter components can allow the filter top or attachments to be blown off and could cause severe injury or property damage.
- Triton[®] : Use care when installing the cap. The cap should turn freely in the filter, if resistance to insertion of the cap is felt, then slowly remove the cap by turning counter-clockwise. The starting thread of the tank and cap must engage properly in order to close the cap securely. Do not cross-thread the cap. Failure to install the cap properly can cause the cap to be blown off and could cause severe personal injury and/or property damage. Never attempt to tighten or loosen the cap while the pump is running. Failure to follow this instruction can result in the cap blowing off and causing severe injury and/or property damage. Failure to position the automatic breather vent correctly inside the cap will allow excessive trapped air to accumulate in the filter. Trapped air and failure to close the cap properly can cause the cap to be blown off and could cause severe injury and/or property damage.

Section 2

Installation

Install the filter in a dry, well-ventilated location with adequate access for servicing. Place the filter in its permanent location on a completely level base, preferably made of concrete poured as a single slab or on a platform constructed of concrete blocks or bricks. Pipes should preferably be made of PVC. Set the suction pipe at a slight angle to avoid the formation of air bubbles. Fit the valve (follow drawings at the end of this manual) and position the filter in the correct place. Make sure that the valve on the filter can be easily accessed. Then fit the plumbing.

Triton® : Fit pressure gauge and T-adaptor to cap.

Section 3

Operation

Before pouring media, look inside and check lower underdrain for broken or loose laterals. The sand is put in through the opening in the top of the filter.

Triton® : Turn the top diffuser system sideways until it clicks tight. Fill the tank 1/3 full with water. Protect the thread on the filter by covering it with adhesive tape. Next fill the filter with the specified amount of gravel and then sand. Do this carefully to avoid damaging the bottom laterals. After filling, turn the top diffuser pipe back to its original vertical and centered position so that it again clicks into position. Remove the adhesive tape and clean the thread. Pull the air relief tubing slightly upwards, so the breather pipe strainer will fit into the cap after the cap has been fitted. Place the O-ring seal on the cap and tighten hand-tight with wrench. Shift valve handle to "Rinse" position. Now start the pump and open the bleed valve until water begins to appear from the blow-off opening in the bleed valve.

Tagelus® : Fill tank for 1/3 with water. Before filling the filter, sand guide should be on the pipe. Fill the filter with the specified quantity of gravel, afterwards with sand. Remove the sand guide. Assemble the valve to the filter and tighten with the clamp ring. Connect the piping. Turn the valve into position "Rinse" and start the pump for at least 1 minute.



Never shift valve handle position while pump is running

Section 4

Filtration

When the filter is used for the first time, shift the valve handle to 'Rinse' position, until you see clear water appearing through the sideglass (Triton®). Then continue with step 1 till 5:

1. Shift multi-port valve handle to "Filtration" position.
2. Start the pump.
3. Bleed off any air in the filter.
4. Filter is running.
5. Make a note here of the pressure showing on the pressure gauge: _____ bar.

Section 5

To clean (backwash) the filter

When the pressure has increased by 0.5 bar or more (the measurement registered above) the filter sand needs to be backwashed. This is done as follows:

1. Shut off the pump.
2. Shift the valve handle to "Filter backwash".
3. Start pump and let it run until water is clean (Triton®: about 5-10 minutes; Tagelus®: about 3 minutes).
4. Shut off the pump and turn off the water supply to the pump.
5. Clean the basket of the pump and turn on the water supply to the pump after closing the cleaning strainer cap.
6. Shift valve handle to "Rinse" position.
7. Start pump and run for approximately one minute.
8. Shut off the pump.
9. Shift valve handle to position "filtration" and start the pump.

Section 6

Servicing and Maintenance

Proper care and maintenance will add many years of service and enjoyment to the pool. To clean filter exterior of dust, dirt, wash with a mild detergent and water, then hose off. Never wash the transparent cap with a solvent as it may become cloudy.

Replacement of sand

Open the drain and let the water flow out. Remove the sand. This can be done by means of the vacuum system "Sandvak", which can be connected to the main water supply just like a garden hose. The filter can also be emptied by hand.

Triton® : To replace the sand, turn the top diffuser system to the side. The thread of the filter should be protected, in the same way as with filling.



**Take care not to damage the bottom laterals.
The sand in the filter must be changed every 5 years.**

Winterizing

In areas that have freezing winter temperatures protect pool equipment. The filter, pump and pipelines must be emptied to protect them from freezing. To do this move the valve handle to the "Backwash" position, open drain tap with hose connection end 180° to the left (do not unscrew) and open the bleed valve. Open all valves. A small flexible piece of tubing can be attached to the drain tap. Allow filter, pump and pipelines to drain completely

Section 7

Trouble shooting

1. Short Cycle between backwashes

- A. Flow rate too high or filter too small: consult dealer for system sizing recommendations.
- B. Water is chemically out of balance: consult pool serviceman.
- C. Excess dirt/dust in pool: vacuum pool directly to waste.
- D. Body oil/lotion build-up in filter: consult dealer for chemical filter cleaners and follow cleaner manufacturer's instructions.

NOTICE: Time between backwashes will vary with each installation and between different areas of the country. Ask installer about normal backwash interval in your area. The following causes and remedies are for cycle times shorter than normal for your area.

- E. Filter inadequately backwashed: see instructions under section 5.
- F. Algae in pool: consult pool professional about proper chemical maintenance.
- G. Residual chlorine level too low: consult pool professional about proper chemical maintenance.
- H. Inspect filter sand for solidification caused by dust, calcium, skin oils, of suntan lotions.

2. Low Flow

- A. Pipe blocked downstream from filter: remove obstruction.
- B. Piping too small: use larger pipe (consult dealer for sizing).
- C. Plugged pump; plugged hair and lint trap or skimmer basket. Clean thoroughly.

3. Pool Water Not Clear

- A. Water is chemically out of balance: consult pool professional.
- B. Filter is too small: consult dealer about equipment sizing.
- C. Sand in pool means broken lateral. Drain both water and sand out of tank. Remove valve and replace broken part. Reassemble filter.

Section 8

Warranty

- The filters are resistant against swimming pool water treatment products. Maximum working temperature is 50 degrees Celsius; maximum working pressure is 3.5 bar.
- Warranty period: 10 years on the shell, as from the production date.

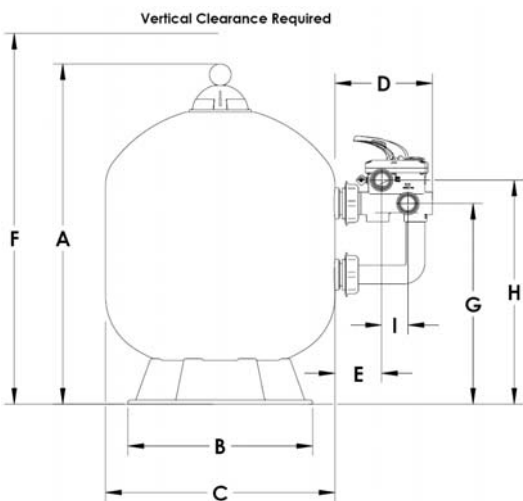
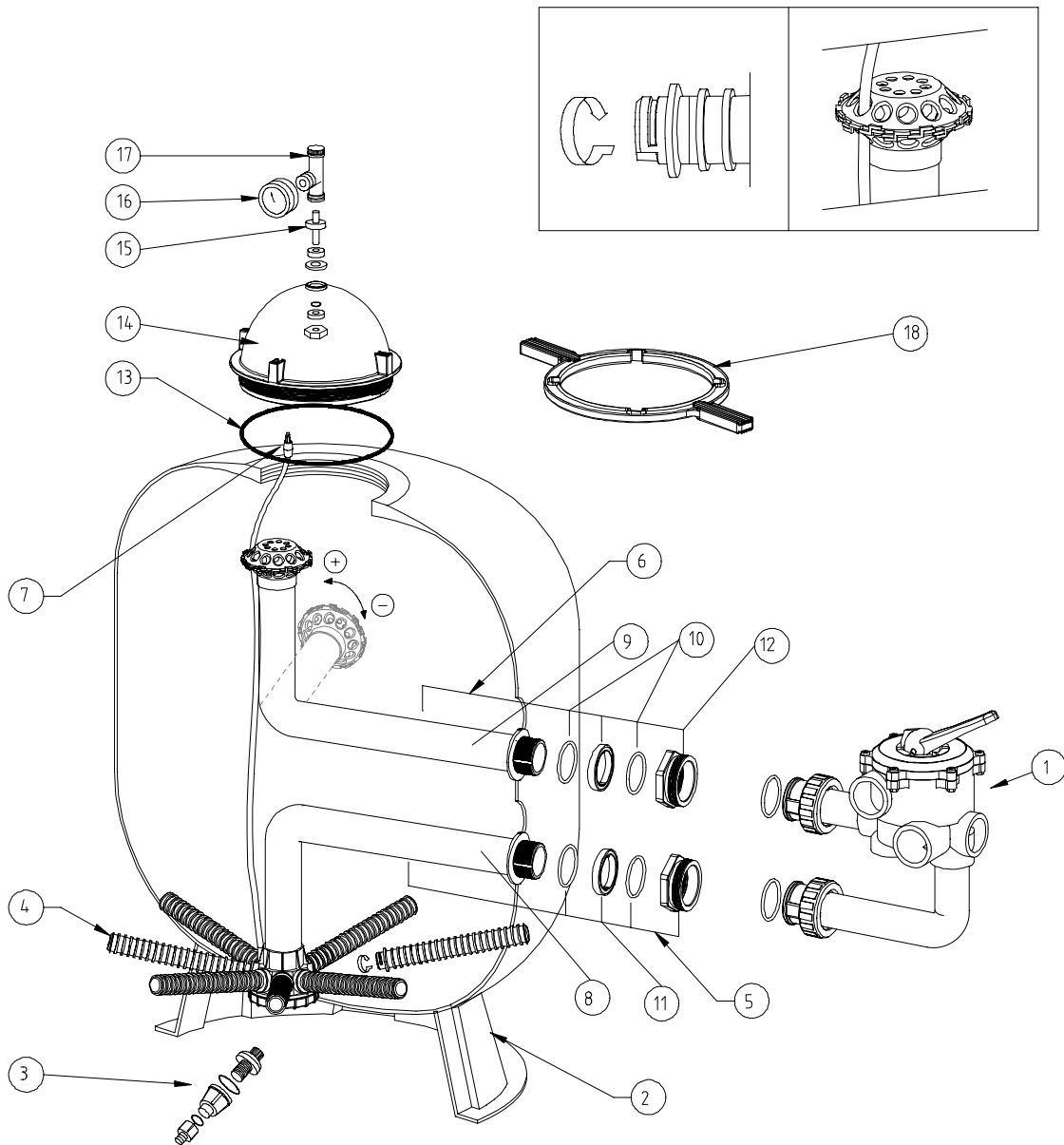
Section 9

Technical data

Technical data as well as illustrated parts list can be found at the end of this manual.

**TECHNICAL DATA – TECHNISCHE DATEN - TECHNISCHE GEGEVENS – DONNÉES TECHNIQUES
DATOS TÉCNICOS – DATI TECNICI**

TRITON® and TRITON® II with CLEARPRO TECHNOLOGY®



	F-19S8-TRV	F-24S8-TRV	F-30S8-TRV	F-36S8-TRV
(mm)	F-19S8-TRCP	F-24S8-TRCP	F-30S8-TRCP	F-36S8-TRCP
A	825	955	1095	1200
B	400	400	610	610
C	480	610	762	914
D	252	252	302	302
E	120	120	160	160
F	876	1006	1146	1251
G	463	530	590	657
H	524	592	671	738
I	70	70	70	70

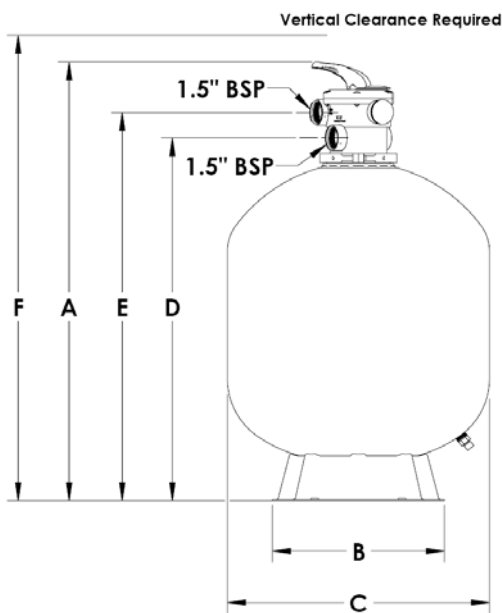
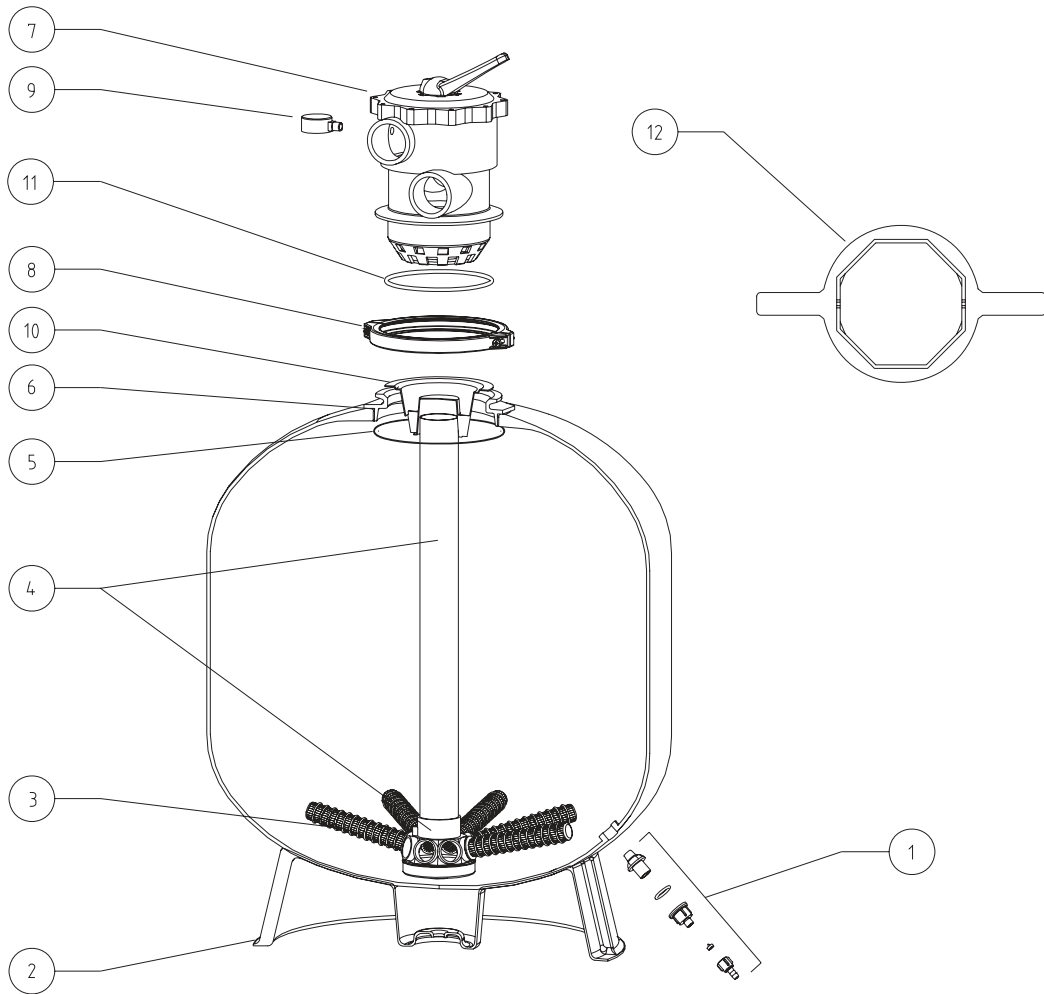
TECHNICAL DATA – TECHNISCHE DATEN - TECHNISCHE GEGEVENS – DONNÉES TECHNIQUES
DATOS TÉCNICOS – DATI TECNICI

TRITON® and TRITON® II with CLEARPRO TECHNOLOGY®

No.	Reference	Description	Qty.
1	E-26-1070ND	Manual multi-port valve 1 1/2" (complete) for filter Ø 480 mm (19") and Ø 610 mm (24")	1
1	E-26-1071	Manual multi-port valve 2" (complete) for filter Ø 762 mm (30") and Ø 914 mm (36")	1
2	G-15-4524	Tank base for filter Ø 480 mm (19") + Ø 610 mm (24")	1
2	G-15-4525	Tank base for filter Ø 762 mm (30") + Ø 914 mm (36")	1
3	G-15-4696	Drain tap 3/4" high flow (complete)	1
4	G-30-1904	Laterals for filter Ø 480 mm (19")	8
4	G-30-2404	Laterals for filter Ø 610 mm (24")	8
4	G-30-3004	Laterals for filter Ø 762 mm (30")	8
4	G-30-3604	Laterals for filter Ø 914 mm (36")	8
4	G-30-1904CP	ClearPro Laterals for filter Ø 480 mm (19")	8
4	G-30-2404CP	ClearPro Laterals for filter Ø 610 mm (24")	8
4	G-30-3004CP	ClearPro Laterals for filter Ø 762 mm (30")	8
4	G-30-3604CP	ClearPro Laterals for filter Ø 914 mm (36")	8
5	G-30-1905	Bottom diffuser system for filter Ø 480 mm (19"), consisting of (*): 8 + 10 + 11 + 12	1
5	G-30-2405	Bottom diffuser system for filter Ø 610 mm (24"), consisting of (*): 8 + 10 + 11 + 12	1
5	G-30-3005	Bottom diffuser system for filter Ø 762 mm (30"), consisting of (*): 8 + 10 + 11 + 12	1
5	G-30-3605	Bottom diffuser system for filter Ø 914 mm (36"), consisting of (*): 8 + 10 + 11 + 12	1
5	G-30-1905CP	ClearPro bottom diffuser system for filter Ø 480 mm (19"), consisting of (*): 8 + 10 + 11 + 12	1
5	G-30-2405CP	ClearPro bottom diffuser system for filter Ø 610 mm (24"), consisting of (*): 8 + 10 + 11 + 12	1
5	G-30-3005CP	ClearPro bottom diffuser system for filter Ø 762 mm (30"), consisting of (*): 8 + 10 + 11 + 12	1
5	G-30-3605CP	ClearPro bottom diffuser system for filter Ø 914 mm (36"), consisting of (*): 8 + 10 + 11 + 12	1
6	G-30-1906	Top diffuser system for filter Ø 480 mm (19"), consisting of (°): 9 + 10 + 11 + 12	1
6	G-30-2406	Top diffuser system for filter Ø 610 mm (24"), consisting of (°): 9 + 10 + 11 + 12	1
6	G-30-3006	Top diffuser system for filter Ø 762 mm (30"), consisting of (°): 9 + 10 + 11 + 12	1
6	G-30-3606	Top diffuser system for filter Ø 914 mm (36"), consisting of (°): 9 + 10 + 11 + 12	1
7	G-TT-AIR	Air relief strainer	1
13	G-15-2501	O-ring cap 8 1/2"	1
14	G-15-2500	Transparent cap 8 1/2"	1
15	G-15-4687	Adapter piece in brass (complete)	1
16	G-15-2046	Manometer	1
17	G-15-4689	Plastic manual bleed valve	1
18	G-15-4513	Wrench 8 1/2" for cap	1
The following components of the top and bottom diffuser systems are also available separately			
8 (*)	G-30-1908	Pipe set, aeration & diffuser head for bottom diffuser system filter Ø 480 mm (19")	1
8 (*)	G-30-2408	Pipe set, aeration & diffuser head for bottom diffuser system filter Ø 610 mm (24")	1
8 (*)	G-30-3008	Pipe set, aeration & diffuser head for bottom diffuser system filter Ø 762 mm (30")	1
8 (*)	G-30-3608	Pipe set, aeration & diffuser head for bottom diffuser system filter Ø 914 mm (36")	1
8 (*)	G-30-1908CP	Pipe set, aeration & diffuser head for ClearPro bottom diffuser system filter Ø 480 mm (19")	1
8 (*)	G-30-2408CP	Pipe set, aeration & diffuser head for ClearPro bottom diffuser system filter Ø 610 mm (24")	1
8 (*)	G-30-3008CP	Pipe set, aeration & diffuser head for ClearPro bottom diffuser system filter Ø 762 mm (30")	1
8 (*)	G-30-3608CP	Pipe set, aeration & diffuser head for ClearPro bottom diffuser system filter Ø 914 mm (36")	1
10 (*)	G-15-4492	O-ring for adjusting ring	2
11 (*)	G-TT-ADR	Adjusting ring external	1
12 (*)	G-TT-BHD	Adjusting and connection nut multi-port valve	1
9 (°)	G-30-1909	Pipe set + diffuser head for top diffuser system filter Ø 480 mm (19")	1
9 (°)	G-30-2409	Pipe set + diffuser head for top diffuser system filter Ø 610 mm (24")	1
9 (°)	G-30-3009	Pipe set + diffuser head for top diffuser system filter Ø 762 mm (30")	1
9 (°)	G-30-3609	Pipe set + diffuser head for top diffuser system filter Ø 914 mm (36")	1
10 (°)	G-15-4492	O-ring for reducing ring	2
11 (°)	G-TT-ADR	Adjusting ring external	1
12 (°)	G-TT-BHD	Adjusting and connection nut for multi-port valve	1
-	G-WRENCH-TT	Metal wrench for adjusting nut 2" external (G-TT-BHD)	
-	G-54-2090	Vacuum system "Sandvak"	

**TECHNICAL DATA – TECHNISCHE DATEN - TECHNISCHE GEGEVENS – DONNÉES TECHNIQUES
DATOS TÉCNICOS – DATI TECNICI**

TAGELUS® and TAGELUS® II with CLEARPRO TECHNOLOGY®



	F-19T6-TAG F-19T8-TACP	F-24T6-TAG F-24T8-TACP	F-30T8-TAG F-30T8-TACP
A	878	1009	1170
B	400	400	610
C	480	610	762
D	715	847	1026
E	774	904	1108
F	1194	1448	1664

TECHNICAL DATA – TECHNISCHE DATEN - TECHNISCHE GEGEVENS – DONNÉES TECHNIQUES
DATOS TÉCNICOS – DATI TECNICI

TAGELUS® and TAGELUS® II with CLEARPRO TECHNOLOGY®

No.	Reference	Description	Qty.
1	G-15-4696	Drain tap 3/4" high flow (complete)	1
2	G-15-4926	Black base for filter Ø 480 mm & Ø 610 mm (19" & 24")	1
2	G-15-4596	Black base for filter Ø 762 mm (30")	1
3	G-30-1904	Laterals for filter Ø 480 mm (19")	6
3	G-30-2404	Laterals for filter Ø 610 mm (24")	6
3	G-30-3004	Laterals for filter Ø 762 mm (30")	8
3	G-30-1904CP	ClearPro Laterals for filter Ø 480 mm (19")	8
3	G-30-2404CP	ClearPro Laterals for filter Ø 610 mm (24")	8
3	G-30-3004CP	ClearPro Laterals for filter Ø 762 mm (30")	8
4	G-SPS-19TAG	Stand Pipe Set for filter Ø 480 mm (19"), consisting of hub and standpipe	1
4	G-SPS-24TAG	Stand Pipe Set for filter Ø 610 mm (24"), consisting of hub and standpipe	1
4	G-SPS-30TAG	Stand Pipe Set for filter Ø 762 mm (30"), consisting of hub and standpipe	1
4	G-SPS-19TACP	Stand Pipe Set for ClearPro filter Ø 480 mm (19"), consisting of ClearPro hub and standpipe	1
4	G-SPS-24TACP	Stand Pipe Set for ClearPro filter Ø 610 mm (24"), consisting of ClearPro hub and standpipe	1
4	G-SPS-30TACP	Stand Pipe Set for ClearPro filter Ø 762 mm (30"), consisting of ClearPro hub and standpipe	1
5	G-15-4493	O-ring 146 x 4 mm Bunan for filter Ø 480 mm & Ø 610 mm (19" & 24")	1
5	G-15-2501	O-ring 209.14 x 3.17 mm Bunan for filter Ø 762 mm (30")	1
6	G-15-5225	Adaptor 6" V-thread for filter Ø 480 mm & Ø 610 mm (19" & 24")	1
6	G-15-4514	Adaptor 8 ½" for 2" TM valve for filter Ø 762 mm (30")	1
7	E-27-2026ND	Black 1 ½" TM valve with 50 mm connection for filter Ø 480 mm & Ø 610 mm (19" & 24")	1
7	E-27-2029	Black 2" TM valve with 63 mm connection for filter Ø 762 mm (30")	1
8	E-27-2025	Black plastic ABS-GF clamp & screws and nuts for filter Ø 480 mm & Ø 610 mm (19" & 24")	1
8	E-27-2028	Black plastic ABS-GF clamp & screws and nuts for filter Ø 762 mm (30")	1
9	G-15-2047	Pressure gauge ¼" NPT bottom connection	1
10	G-15-5051	Sand guide	1
11	G-28-1008	O-ring EPDM 70° shore 1238 x 533 mm for filter Ø 480 mm & Ø 610 mm (19" & 24")	1
11	G-25-0001	O-ring NBR 165 x 5 mm 70° shore A for filter Ø 762 mm (30")	1
12	G-15-4512	Wrench 6" closure, only for filter Ø 480 mm & Ø 610 mm (19" & 24")	1

TRITON® - TAGELUS® - TRITON® II & TAGELUS® II with CLEARPRO TECHNOLOGY®

	F-19S8-TRV	F-19S8-TRCP	F-19T6-TAG	F-19T8-TACP	F-24S8-TRV	F-24S8-TRCP	F-24T6-TAG	F-24T8-TACP	F-30S8-TRV	F-30S8-TRCP	F-30T8-TAG	F-30T8-TACP	F-36S8-TRV	F-36S8-TRCP
Diameter	φ 480 mm (19")				φ 610 mm (24")				φ 762 mm (30")				φ 914 mm (36")	
Filter area (m ²)	0,17				0,29				0,45				0,64	
Filter flow rate (m ³ /h)	8,5				14				22				32	
Gravel φ 3 -> 5 mm (kg)	20	20	15	15	40	40	17	17	80	80	50	50	120	120
Sand φ 0,4 -> 0,8 mm (kg)	52	52	70	70	108	108	150	150	200	200	235	235	310	310

